

INSTRUCTION MANUAL

VS315D

Brobo Cold Saw, Includes Stand
100 x 80mm Rectangle Capacity
Variable Blade Speed 20~100rpm



S040



BROBO GROUP

A.C.N. 098 264 316
A.B.N. 42 098 264 316

BROBO GROUP (AUST) PTY. LTD.

8 Fowler Rd, Dandenong, 3175
PO BOX 4274 Dandenong Sth, 3164
Victoria, AUSTRALIA.
Tel: 61 3 9794 8751
Fax: 61 3 9794 8792

Email: info@brobo.com.au
Website: www.brobo.com.au

Quality
Endorsed
Company
ISO 9001 Lic. 10292
SAI GLOBAL



PRODUCT AND MAINTENANCE MANUAL **OHS SERIES METAL SAWS**

MODEL No. S315D, S350D, S400B / Serial No's. C 29680~



▲ *Bench Mount Unit*



Floor Mount Unit ▲

YOUR BROBO DISTRIBUTOR IS:

- Precision Drilling Machines ● Tapping Machines ● Multi Head Drills ● Tool Grinders ●
- Tool Post Grinders ● Machine Vices ● Special Production Equipment ●
- Accessories ● Riveting Machines ● Pedestal Grinders ● Metal Cutting Saws ● Linishers ●

OPERATING MANUAL FOR **BROBO GROUP** MANUAL METAL CUTTING SAWS

TECHNICAL SPECIFICATION

CHAPTER 1: Installation of the Machine

- 1.1 Unpacking and Handling the Machine
- 1.2 Parts Checklist
- 1.3 Minimum Requirements
- 1.4 Anchoring the Saw
- 1.5 Connection to Power Source

CHAPTER 2: Safety and Accident Prevention

- 2.1 Operation of the Machine
 - 2.1.1. Noise Level
 - 2.1.2. Power Supply
- 2.2 General Requirements
- 2.3 Advice for the Operator
- 2.4 Machine Safety Devices
 - 2.4.1. Reference Standards

CHAPTER 3: Main Functions and Operation of the Machine

- 3.1.1. Cutting Head
- 3.1.2. Saw Safety Guard
- 3.1.3. Saw Handle (with 'Dead Man' Trigger Switch)
- 3.1.4. Main power standby & Speed selector switch
- 3.1.5. Manual Vice Clamp
- 3.2 Preparation for Operation
- 3.3 Operation Recommendations

CHAPTER 4: Drawings, Layouts, Assembly and Spare Parts

- 4.1.1 Assembly Drawing (1 of 3)
- 4.1.2 Assembly Drawing (2 of 3)
- 4.1.3 Assembly Drawing (3 of 3)
- 4.2.1 Electrical Circuit 1PH/ 3PH & 3PH Dual Speed Circuit Diagram
- 4.2.2 Electrical Circuit 3PH with Dead Man Trigger (DMT)
- 4.2.3 Diagram For Connection 1PH/3PH Circuit
- 4.2.4 Component Layout & Electrical Schematic Drawings (3PH)
- 4.3.1 Cold Saw Main Dimensions
- 4.3.2 Cold Saw Assembly
- 4.3.3 Standard Gearbox Assembly
- 4.3.4 Deadman Trigger Assembly
- 4.3.5 Standard Manual Vice Assembly
- 4.3.6 Dual Manual Vice Assembly

CHAPTER 5: Adjustments for the Saw Unit

- 5.1 Changing the Blade
- 5.2 Adjusting the Cutting Angle
- 5.3 Cutting and Feeding Speeds
- 5.4 Refilling the Lubricator
- 5.5 Adjusting the **Brobolube** Unit
 - 5.5.1 Lubricating Oil Precautions – Health Hazard Information

CHAPTER 6: Maintenance and Selection of Consumables

- 6.1 Role of the Operator
- 6.2 Maintenance Requirements
- 6.3 General Maintenance of Functioning Components

CHAPTER 7: Troubleshoot

- 7.1 Troubleshooting For Blade and Cutting Problems
- 7.2 General Troubleshooting

APPENDIX

- i. Hazard/Risk Assessment
- ii. Workplace Health & Safety Policy

TECHNICAL SPECIFICATION

STANDARD BLADE SIZES

Outer Diameter (Ø mm)	Thickness (mm)	Bore Size (mm)	Number of Teeth
315	2.5	40	160
350 (*)	2.5	40	180
400	3.0	40	220

TABLE 1. Standard Blade Sizes

(*) Recommendation

BLADE SELECTION CHART

	Material Outer Diameter (Ø mm)	Wall Thickness (mm)	Blade Diameter (Ø mm) and Number of Teeth		
			315	350	400
HOLLOW CROSS-SECTION	20	1	320	350	400
		2	240	280	340
		3	180	220	240
	40	1	320	250	400
		2	220	260	280
		3	160	180	200
		4	140	160	180
	50	1	320	350	400
		2	220	280	300
		3	180	200	220
		4	160	180	200
		5	140	160	180
	80	1	300	320	360
		2	200	220	240
		3	200	200	220
		4	160	180	180
		5	140	160	180
	100	1	300	300	340
		2	220	200	220
		3	200	180	180
		4	160	140	160
		5	140	120	140
	120	1		300	340
		2		200	220
3			180	180	
4			160	160	
5			120	140	
SOLID SECTIONS	10		280	280	300
	20		160	200	240
	30		140	160	200
	40		120	140	140
	50		80	100	120
	60			80	100

TABLE 2. Blade Selection Chart



NOTE - CHART GUIDE ONLY

This chart is issued as a **guide only**. Many other factors would attribute to the cutting performance of both the saw blade and the cutting saw machine. BROBO GROUP Pty. Ltd. will not accept any responsibility for the blade selection and/or machine breakages or unsatisfactory cutting performance of both the blade and/or the machine as a direct result of the selection.

Blade Type: AISI M-Z High Speed Steel (62-64 HRC, Hollow Ground)

Blue-oxide coated for:

- Greater durability,
- Better coolant conveyance to the cutting edge,
- Reduces galling or "pick-up" on sides of the blade,
- Reduces brittleness of the steel.

Tooth Form: Bevelled on alternate sides - up to 180 teeth, or High-rolling, low-finishing teeth, "triple-chip" - above 180 teeth

Drive Pin Holes (Qty. × Ø × PCD): *S315 & S350 Series* 2 × 8mm × 55mm
S400 Series 2 × 10.5mm × 64mm

Worm Gear Drive Ratio (S315/S350/S400): 1:33 Reduction
Sound Level (dBA): 85 - 90 dB(A) Maximum

MOTOR SPECIFICATIONS

Motor Type (Hz)	Phase	Voltage (V)	RPM	Kilowatt (kW)
50Hz Power Supply	1	240	1430	1.7
50Hz Power Supply	3	415	1420 / 2680	1.5 / 2.2
50Hz Power Supply	3	415	650 / 1350	1.1 / 1.5
60Hz Power Supply	1	230	1700	1.7
60Hz Power Supply	3	220	850 / 1700	1.1 / 1.5
60Hz Power Supply	3	440	850 / 1700	1.5 / 2.2
60Hz Power Supply	3	220	1700 / 3400	1.1 / 1.5

TABLE 3. Motor Specifications

BLADE SPINDLE RPM

Motor Type			BLADE SPEEDS					
			S315		S350		S400	
Frequency (Hz)	Phase	RPM	RPM	m/min	RPM	m/min	RPM	m/min
50	3	650	21	20	21	23	21	27
	1 / 3	1350/1420	42	40	42	47	42	53
	3	2680	85	80	85	93	85	106
			RPM	ft. /min	RPM	ft. /min	RPM	ft. /min
60 (USA)	3	850	26	84	26	93	26	106
	1 / 3	1700	52	168	52	186	52	212
	3	3400	103	334	103	370	103	424

TABLE 4. Blade Spindle RPM

VICE CLAMPS

	Manual Vice
Clamping Range (mm)	0 - 135 (145mm w/o wear plates)
Air Requirements:	
Air Consumption (L):	
Clamp Working Pressure (kPa):	
Maximum Pressure (kPa):	
Pneumatic Stroke (mm):	
Clamping Force (N):	

TABLE 5. Vice Clamps

CUTTING RANGE


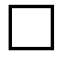
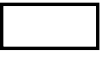

Cross Sectional Profile	Angle	Cutting Range (mm)								
		S315			S350			S400		
	90°	95	3 6/8"		115	4 4/8"		130	5 1/8"	
	45°	95	3 6/8"		110	4 3/8"		120	4 6/8"	
	90°	85 × 85	3 3/8" × 3 3/8"		100 × 100	3 7/8" × 3 7/8"		110 × 110	4 3/8" × 4 3/8"	
	45°	80 × 80	3 1/8" × 3 1/8"		85 × 85	3 3/8" × 3 3/8"		95 × 95	3 6/8" × 3 6/8"	
	90°	80 × 100	3 1/8" × 3 7/8"		85 × 135	3 3/8" × 5 3/8"		100 × 135	3 7/8" × 5 3/8"	
	45°	80 × 80	3 1/8" × 3 1/8"		85 × 95	3 3/8" × 3 6/8"		100 × 95	3 7/8" × 3 6/8"	
	90°	50	STD 2"	AUTO 3"	60	STD 2 3/4"	AUTO 3 1/2"	60	STD 2 3/4"	AUTO 3 1/2"

TABLE 6. Cutting Range

Note: The above values are based on a full size blade. The capacities will reduce accordingly when a worn blade is resharpened.

DIMENSIONAL SPECIFICATIONS

Base Dimensions (L × W): 550mm × 660mm

Table Working Height: 968 mm

Saw Height: 1917 mm

SAW WEIGHT

	Un-Packed Weight (kg)		Packed Weight (kg)	
S315/S350/S400 Saw Unit	136kg	(300lb.)	150kg	(330lb.)
Coolant Tank Complete	17kg	(42lb.)	17kg	(42lb.)
Sheet Metal Stand S315/S350/S400	28kg	(62lb.)	28kg	(62lb.)
Manual Vice Unit	25kg	(55lb.)	25kg	(55lb.)

TABLE 7. Saw Weight

CHAPTER 1 - Installation of the Machine

1.1. Unpacking and Handling the Machine



WARNING - HEAD HEAVY MACHINES

The metal sawing machines are heaviest where the saw heads are fitted and as such, care must be taken while relocating or moving the machines.

Upon receiving the **Brobo Group S315/S350/S400 Series Metal Cutting Saw**, the machine should be standing upright and positioned centrally on top of a wooden pallet. While the machine is situated on the pallet, position the forklift arms under the pallet between the runners, keeping in mind that the machine is **head heavy**. Move the entire unit to an accessible area as close as possible to the final location.

Carefully remove the wooden frame surrounding the saw unit (Figure 1). Once completed, proceed by elevating the machine away from the pallet base using a sling harness wrapped around the cutting head of the saw. Ensure that the floor is as level as possible before finally positioning the machine to the desired location.



FIGURE 1. Handling of Metal Cutting Saw Unit

PLEASE OBSERVE AND FOLLOW THE INSTALLATION INSTRUCTIONS ON PAGE 7

1.2. Parts Checklist

Along with the saw unit, check that the following accessories, packed "loose", are included as follows:

A. STANDARD ACCESSORIES

- 1) 1 × Saw Blade
- 2) 1 × Operating Handle
- 3) 1 × Service Kit (Hexagon wrenches 5", 10" & 14")
- 4) 1 × Operating Manual

B. OPTIONAL ACCESSORIES

Part Number	Description
9311270	Standard Adjustable Length Stop (600mm)
9501450 9501470	'Robo-Rule' Series Manual Micro-Adjustment Length Stop <ul style="list-style-type: none"> ▪ Available in 3.0m or 6.0m lengths ▪ Field Kit includes rail, tape, micro-stop and extension arm.
9501210	Roller Conveyor <ul style="list-style-type: none"> ▪ 68 Kg Steel Rollers ▪ 3000mm x 305mm ▪ 150mm pitch
9311060	Manual Mechanical Vice Clamp
9301950	Manual Mechanical Dual Arm Vice Clamp
9501740	Fabricated Sheet Metal Stand
9301450	Floor Stand, Angle Iron
9301400	Trigger 'Deadman' Switch
9501640	S350D & S400B Brobolube
-	Additional Blade(s) - <i>Custom to Client Requirements</i>

1.3. Minimum Requirements

For the machine to function correctly, the room in which the saw unit is to be installed must be in the vicinity of, and satisfy the following conditions:

- *415/240V Power Supply*
- *Ambient Temperature - From -10°C to +50°C.*
- *Relative Humidity: Not more than 90%.*
- *Lighting: More than 500 LUX.*



WARNING – OPERATING VOLTAGE VARIATION

Each saw model has an inbuilt safety system to protect it against voltage variations. However, for the machine to perform efficiently, ensure that the saw unit operates within ±10% limits of the recommended voltage of the motor.

1.4. Anchoring the Saw

Prior to anchoring the saw unit, take into considerations the requirements mentioned in *Section 1.3* and *Section 2.2*, and other aspects regarding the usage of the machine such as accessibility to cut parts and safe access for the operator.

The base of fabricated stand (if applicable), in which the saw head rests on, is anchored to the floor by 4 × M12 bolts provided. For added stability, it is strongly recommended that the machine stand be fastened to the floor by using loxins (not provided). When positioning and fastening the unit, please refer to the hole locations shown in *Figure 2*.

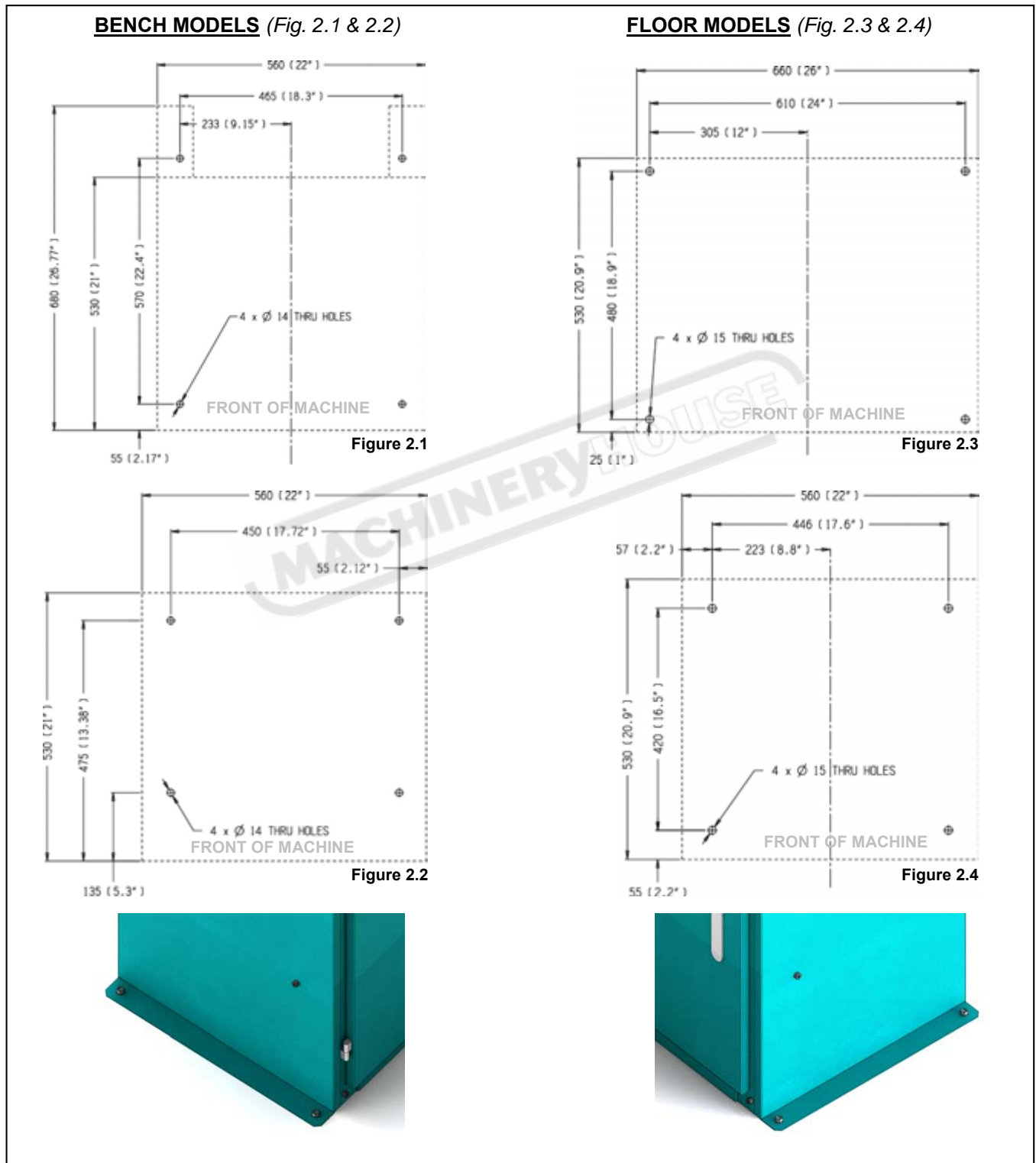


Figure 2. Anchoring Hole Locations

1.5. Connection to Power Source

Before connecting the machine to the power supply, check that the socket is not connected in series with other machines. This condition is critical for the ideal operation of the saw unit.

Single and Three Phase

- a) **Single phase machines** are provided with three pins, **15 amps** rated plugs and leads for connection to **240V, 50Hz** power supply in **Australia**.

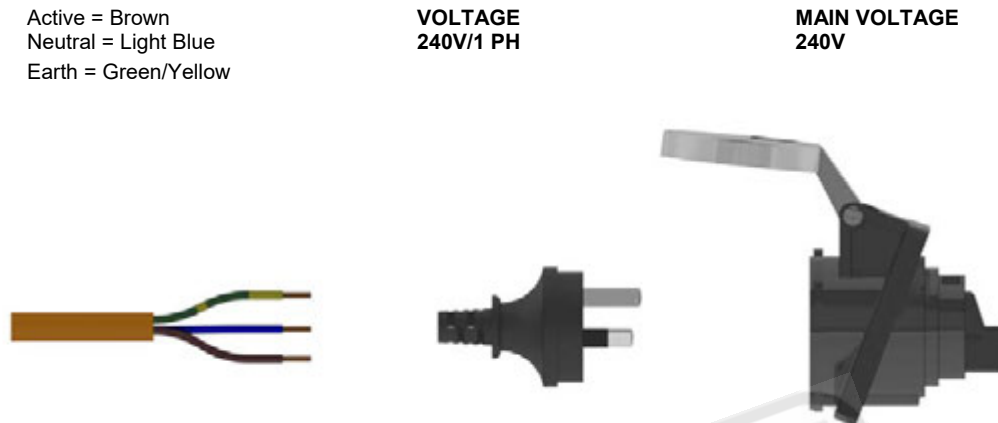


Figure 3.1 Connection 3 pins – 1 Phase

- b) **Three phase machines** should be fitted with a suitable, approved **four pin plugs** (i.e. three phase and earthing - **not provided**)



Figure 3.2 Connection for "4-CORE" Wire System with Neutral – 3 Phase

- c) Check the power supplied and motor specifications before plugging in the machine. Check terminal connection on dual voltage motor terminal box and connect it accordingly to the corresponding voltage supply.
- d) If dual motor is requested, the motor is **always** connected to the higher voltage, unless otherwise specified prior to order being placed.

To connect the machine to the power supply, proceed as follows:

- 1) Insert the power plug into the socket, while ensuring that the **mains voltage is compatible** for which the saw unit is operating at.
- 2) Switch the saw on by rotating the control switch located on the saw head assembly as shown in *Figure 4* below.



Figure 4. *Main Control Switch*

- 3) Check that the motor is operating in the correct direction, that is the blade is rotating downwards and into the direction of the vice clamps.
- 4) Ensure that all electrical leads and cables (including supply leads) are maintained in a good condition and away from sharp objects. All leads should be replaced if cut, sliced or damaged in any way.

Brobo Group S315/S350/S400 Series Metal Cutting Saw is now ready for use.

Chapter 3 provides a detailed description of the various features of the saw and its operating cycles

CHAPTER 2 - Safety and Accident Prevention

The **Brobo Group S315/S350/S400 Series Metal Cutting Saw** has been designed and manufactured in accordance to **Australian Standards**. It is **HIGHLY RECOMMENDED** that the instructions and warnings contained in this chapter be carefully followed for correct usage of the machine.

2.1. Operation of the Machine

The **BW S315/S350/S400 Series Metal Cutting Saw** is specifically design to cut ferrous and non-ferrous metal cross sections with solid or thin-walled profiles. Other types of material and machining are not compatible for use with the specifications of the saw. ***This machine involves a high-speed blade rotation; therefore extreme caution is required when operating the device.***

The employer is responsible for instructing the personnel who, in turn, are obliged to inform the operator of any accident risks, safety devices, noise emission and accident prevention regulations provided for by national and international laws governing the use of the machine. ***The operator must be fully aware of the position and functions of all the machine's controls.***

All those concerned must strictly adhere to ALL instructions, warnings and accident prevention standards in this manual.

The following definitions are those provided for by the **EEC DIRECTIVE ON MACHINERY No. 98/37/CE**:

- **Danger Zone** - any zone in and/or around a machine in which the presence of a person constitutes a risk for the safety and health of that person.
- **Person Exposed** - any person finding him or herself, either completely or partly in a danger zone.
- **Operator** - the person or persons given the responsibility of installing, operating, adjusting, maintaining, cleaning, repairing, and transporting the machine.



WARNING - UNAUTHORISED MODIFICATIONS/REPLACEMENTS/USE

The manufacturer declines any responsibility whatsoever, either civil or criminal, in the case of unauthorised interference or replacement of one or more parts or assemblies on the machine, or if accessories, tools and consumable materials used are different from those recommended by the manufacturer, or if the machine is inserted in a plant system and its proper function is altered.

2.1.1. Noise Level

The noise level of an idling metal saw, fitted with a **180-tooth blade** (supplied as standard by **Brobo Group**) has been measured to be **below 85 dBA**. This complies with the **Australian Occupational Health and Safety (Noise) Regulations 1992**.

Please note that peak impulse noise levels will be experienced due to variables including blade characteristics, type, and condition. This will also vary accordingly depending on the size and type of sample being cut. Under these circumstances, management should make available to the operator(s) the appropriate hearing protection equipment as prescribed under the above stated act.

2.1.2. Power Supply

The 415/240V power supply requirements for this machine are of a high level and unauthorised interference and or inadequate maintenance could result in a situation that could put the operator at risk. A **qualified** electrical engineer should always be assigned to maintain and repair the system.

2.1.3. Compressed Air Supply

Various functions of the saw are carried out via the use of 6kPa compressed air. During these operations, situations would arise where machine parts and materials are clamped together and would potentially pose a serious safety issue to an inexperienced operator. Operators should be thoroughly instructed about these hazards.

Only a qualified electrician should carry out regular maintenance of this system.

2.2. General Requirements

Lighting

Insufficient lighting during the operation of the saw unit would constitute a safety hazard for the people concerned. For this reason, the user of the machine must provide adequate lighting in the working area to eliminate areas in shadow, whilst also preventing dazzling illumination sources

(Reference standard **ISO 8995 - 2002 'Lighting of Indoor Workplaces'**).

Connection

Check that the power supply cables, compressed air supply (if applicable) and coolant system complies with, and are operating within the acceptable range of the saw capabilities.

Faulty, damaged or worn components must be replaced immediately.

Earthing Systems

The installation of the earthing system must comply with the requirements stated in the:

IEC Standards Part 195: Earthing and Protection Against Electric Shocks 1998.

Position of the Operator

The user controlling the machine saw operations must be positioned as shown in the *figure 5* below.

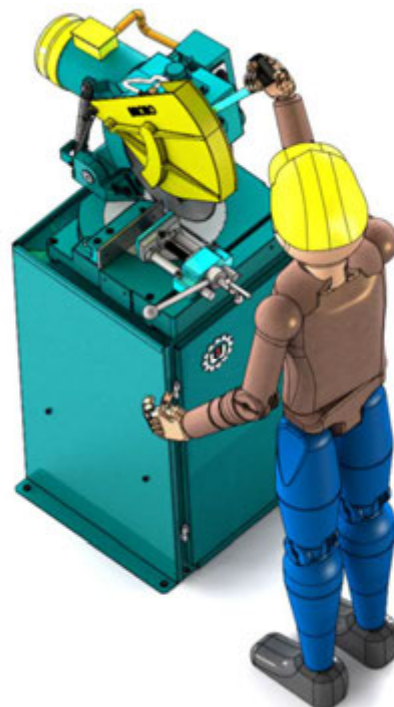


Figure 5. Correct Position for Operating Saw Unit

2.3. Advice for the Operator



Protective eyewear or goggles must be worn at all times while attending and operating the metal saw.



Do not attempt to operate the machine unless all safety guards are in operation.
The guard must fully cover the blade when the head is in the uppermost position.



Ensure that **hands and arms are kept clear of the cutting zone** when the machine is operating.



Do not wear loose clothing with long sleeves and oversize gloves, bracelets, necklaces or any other loose object that may become entangled in the machine's blade during cutting. Long hair must be tied back or placed in a hair net.



Always disconnect the power supply to the machine before carrying out any maintenance work or adjustments. This includes cases of abnormal operations of the machine.



Any maintenance work performed on the hydraulic, pneumatic or coolant systems must be carried out only after the pressure in the system has been released.



The operator **MUST NOT** conduct any risky operations or those not required for the cutting in course (e.g. remove swarf shavings from the machine while cutting).
Never move the saw while the machine is operating.



Always keep the workplace as clean as possible.
Remove equipment, tools or any other objects from the cutting zone.



Support the work piece on both sides of the machine to prevent it falling or jamming during the cutting cycle.



Ensure that the specimen being cut is secured firmly in the vice clamps and the machine has been correctly set. *Figure 7* show some examples on how to correctly clamp different specimen profiles. Before commencing the cut, be sure the vice(s) is securely clamped and the machine set-up is correct.

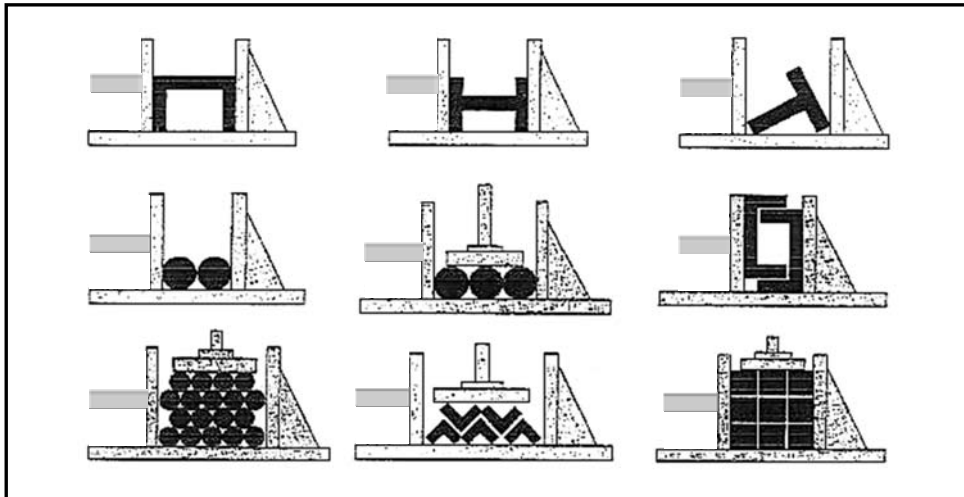
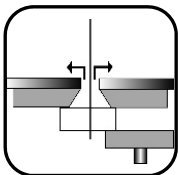


Figure 7. Correct Clamping of Cutting Specimens



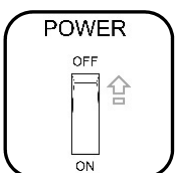
Do not use cutting blades of different sizes to those recommended to the machine's specifications. Always follow safe practices and inspection procedures when installing blades (Please refer to section 5.1 *Changing the Blade*).



When cutting very small specimens, **ensure that the workpiece is not dragged behind the back fence support**, where it could get lodged behind the blade.



If the blade jams during a cut, activate the emergency stop function immediately. Do not continue forcing the blade through. This could damage the blade, the specimen or be a cause for potential injury to the operator.



Always turn off the machine before carrying out any repair work. Consult the **Brobo Group** Engineering Department in the country in which the machine was initially purchased.

2.4. Machine Safety Devices

This product and maintenance manual is not purely intended as a guide for the usage, operation and maintenance of the saw unit in a strictly production environment; it is instead an instrument to providing information on how to use the machine correctly and safely. The following standards listed in section 2.4.1, which are applicable to the **BW S315/S350/S400 Series Metal Cutting Saw**, are those specified by the EEC Committee that governs safety of machinery, health and safety at work, personal protection and safeguarding of the work environment. In addition, the saw also complies with the Australian Standards regarding the safeguarding and general requirements for electrical equipment.

2.4.1. Reference Standards

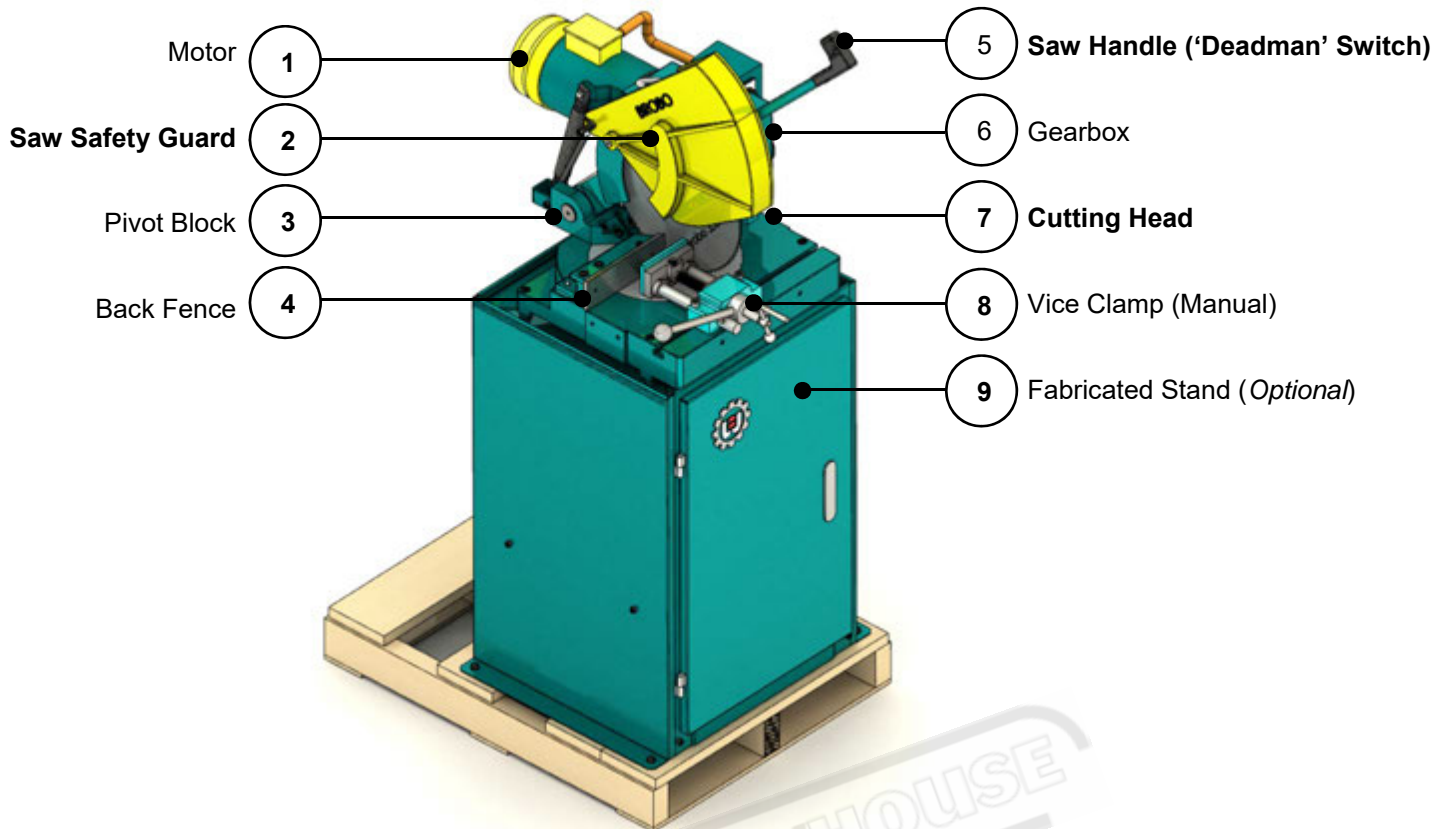
MACHINE SAFETY

- *EEC Directive No. 98/37/CE - Machines Directive*
- *EEC Directive No. 91/368 - 94/68 - Amends sections of EEC Directive No. 98/37/CE relating to machine safety*
- *EEC Directive No. 73/23 - Low Voltage Directive*
- *AS4024.1 - 1996 - Safeguarding of Machinery*

HEALTH AND SAFETY AT WORK

- *AS3100 - 2002 - General Requirements for Electrical Equipment*
- *OH. & S. 1995.81/1995 - Compliance References*
- *EEC Directive No. 80/1107; 83/477; 86/188; 88/188; 88/642 - Protection of workers against risks caused by exposure to physical, chemical and biological agents in workplace*
- *EEC Directive No. 73/23 and Special EEC Directives No. 89/654; 89/655 - Improvements in health and safety at work*

CHAPTER 3 - Main Functions and Operation of the Machine



3.1.1. Cutting Head

As the name suggests, the cutting head is the focal area where most of the specimen cutting takes place. Thus, correct saw blade selection such as size, number of teeth and tooth pitch are all critical factors that determines the overall performance and quality of the final cuts. In addition, the use of correct saw blade provides minimum burr to the work piece while maximising the safety to the operator during each cutting procedure.

3.1.2. Saw Safety Guard

The primary purpose of the saw safety guard is to protect the user from the spinning blade. It also functions as a safety device to protect the operator from any broken tooth, swarf or high-velocity particles that might be dislodged by the cutting process.



Figure 6. Saw Safety Guard

3.1.3. Saw Handle (with 'Dead Man' Trigger Switch)

Although comes as a standard, the saw handle can be installed with a Dead Man' type trigger switch enabled instant switching at the operators control. This particular configuration allows for increased efficiency and safety.



Figure 7. Saw Handle with "Dead Man" Trigger Switch

3.1.4. Main Power Standby & Speed Selector Switch

The rotary Main power switch also serves as the speed selector switch. When the speed is selected the saw is set to "STANDBY" mode. The "STANDBY" lamp illuminates to provide a warning to personnel the saw is at the ready. AT any time the "Dead Man" trigger is activated the saw will run.

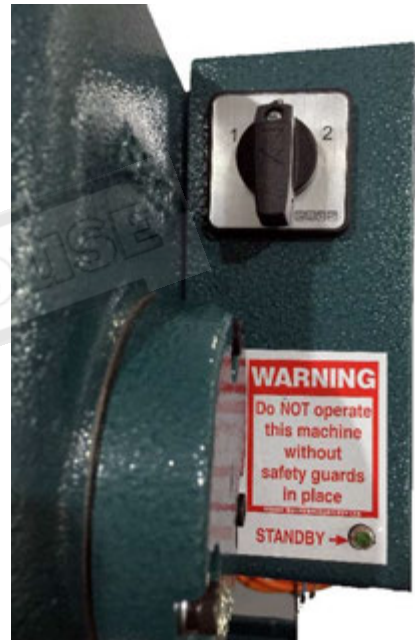


Figure 8. Standby Lamp

3.1.5. Manual Vice Clamp

The manual vice clamp lever allows speedy clamping of material with ergonomically designed clamp lock.



Figure 9. Manual Vice Clamp

3.2. Preparation for Operation

The following procedure is recommended for the correct cutting using the **BW S315/S350/S400 Series Metal Cutting Saw**.



WARNING - SAFETY GEAR

Protective clothing, safety glasses and gloves should **always** be worn while loading parts, operating the machine, or undertaking any maintenance work on the saw.

PROCEDURE

Using a non-flammable and toxic free solvent, clean the machine to remove any corrosion protective coating prior to use.

- 1) Ensure that both the air and electric power systems are turned on, where applicable. The electrical power source must be available before any pneumatic functions will operate.
- 2) To adjust the angle of the cutting surface, if necessary, loosen the 4 bolts, as shown in *Figure 10*. Fine-tune the angle required, then replace and re-tighten the 4 bolts.
- 3) Place the cutting specimen you wish to cut into the vice clamps. Manually adjust the clamps so that the jaws are clamped firmly to the workpiece. With a pneumatic vice, manually adjust the clamps to a clearance of **3 - 7mm**. (For correct clamping of material, please refer to *section 2.3 Advice for the Operator*). *NOTE* -The vice clamps advance with an approximate **10mm pneumatic stroke** to apply a clamping pressure of 6 bar (87 psi).
- 4) Position the vice clamps and component as close to the blade as possible without interfering with the travel of the blade or guard. Vice relocation is required whenever the head angle is altered.
- 5) For pneumatic vices, set the vice clamping pressure from the pressure regulators located on the main control unit door. *If for any reason this pressure is not available on a continuous basis, the regulator on the air service unit must be set slightly below the available line pressure, and the safety low-pressure indicator valve needs to be reset to correspond with the new available pressure. The need to change the pressure is necessary to allow for lighter materials with hollow cross sections to be cut without deforming the walls thicknesses.*
- 6) To initiate the cutting process, either turn the switch to **1** or **2** settings, or press the **START** buttons.
 - Vice jaws automatically close and applies clamping pressure.
 - Position blade to commence cutting through component and maintaining a constant forward feed cutting rate until the end of the stroke.
 - Return saw cutting head to the initial rest position.
 - Vice clamps release workpiece
- 7) Machine is ready for the next cutting cycle.

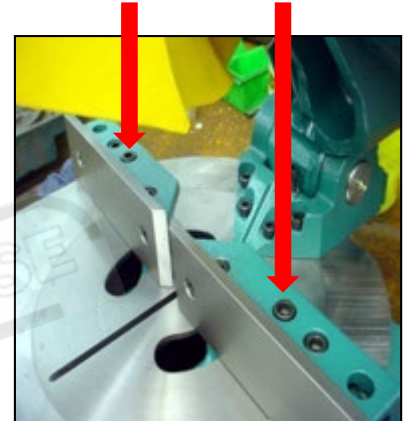


Figure 10. Angular Adjustment Bolts



WARNING - BLADE JAMMING

If the saw blade jams during a cut, engage the **EMERGENCY STOP** immediately. Remove the part, check that the blade is not damage and if need be, replace the blade.

3.3. Operation Recommendations

- Select the correct saw blade with the correct tooth pitch and form to suit the material to be cut to provide minimum burr and maximum blade lifespan.
- Use the smallest diameter blade and coarsest pitch that is practical within the required speed and material limitations.
- Generally use a tooth pitch to give 2 - 4 teeth engagement with the material during cutting.
- Ensure that sufficient coolant is flowing over the cutting teeth.
- Do not allow the machine's gearbox to run idle in the upright position for more than **3 minutes** otherwise, damage can occur to the drive system.
- The rate of feed affects the quality of the final cut and blade life. This varies also by the material and cross-sectional dimensions. When cutting stainless steel or high carbon steel (**Brinell hardness above 200**), the slowest speed machine should be used together with a cobalt type high speed steel blade.
- When manually feeding the saw head, keep in mind to maintain a steady, continuous pressure, thus **avoiding work hardening** on the cutting piece. Avoid 'forcing' the blade through the material as this might damage or break the blade.
- As a rule of thumb **the softer the component, the faster the rate of speed**. Thus, it is recommended that slower speeds be used for hard and tough materials and higher speeds for soft, ductile materials. Note that for non-ferrous materials such as brass, copper, aluminium etc. require much faster speeds than provided on this machine. If these are the majority of materials cut, a **Brobo NF Series** machine should be considered.

CHAPTER 4 - Drawings, Layouts, Assembly and Spare Parts

NOTES:
1/ PROVIDE END FLOAT OF 0.1 MM BY USING SHIMS IF REQUIRED.

DO NOT SCALE
COMMERCIAL STOCK SIZES EXCEPTED AND UNLESS OTHERWISE NOTED
DIMENSIONS IN METRIC ARE:
METRIC
Size To Mach. Cost
6 mm ± 0.1 ± 0.5
30 mm ± 0.2 ± 1.0
100 mm ± 0.3 ± 1.0
300 mm ± 0.5 ± 2.0
1000 mm ± 0.8 ± 5.0
2000 mm ± 1.2 ± 5.0
* INCLUDES STRUCTURAL STEEL WORK.
REMOVE ALL BURRS AND SHARP EDGES BY 0.3 x 45° UNLESS OTHERWISE STATED
SURFACE FINISH

Roughness Value	
Met Linn	Grade No.
50	N12
25	N11
12.5	N10
6.3	N9
3.2	N8
1.6	N7
0.8	N6
0.4	N5
0.2	N4
0.1	N3
0.05	N2
0.025	N1

DRAWING PRACTICE TO AS 1100 - PROJECTION SYSTEM (UNLESS NOTED)

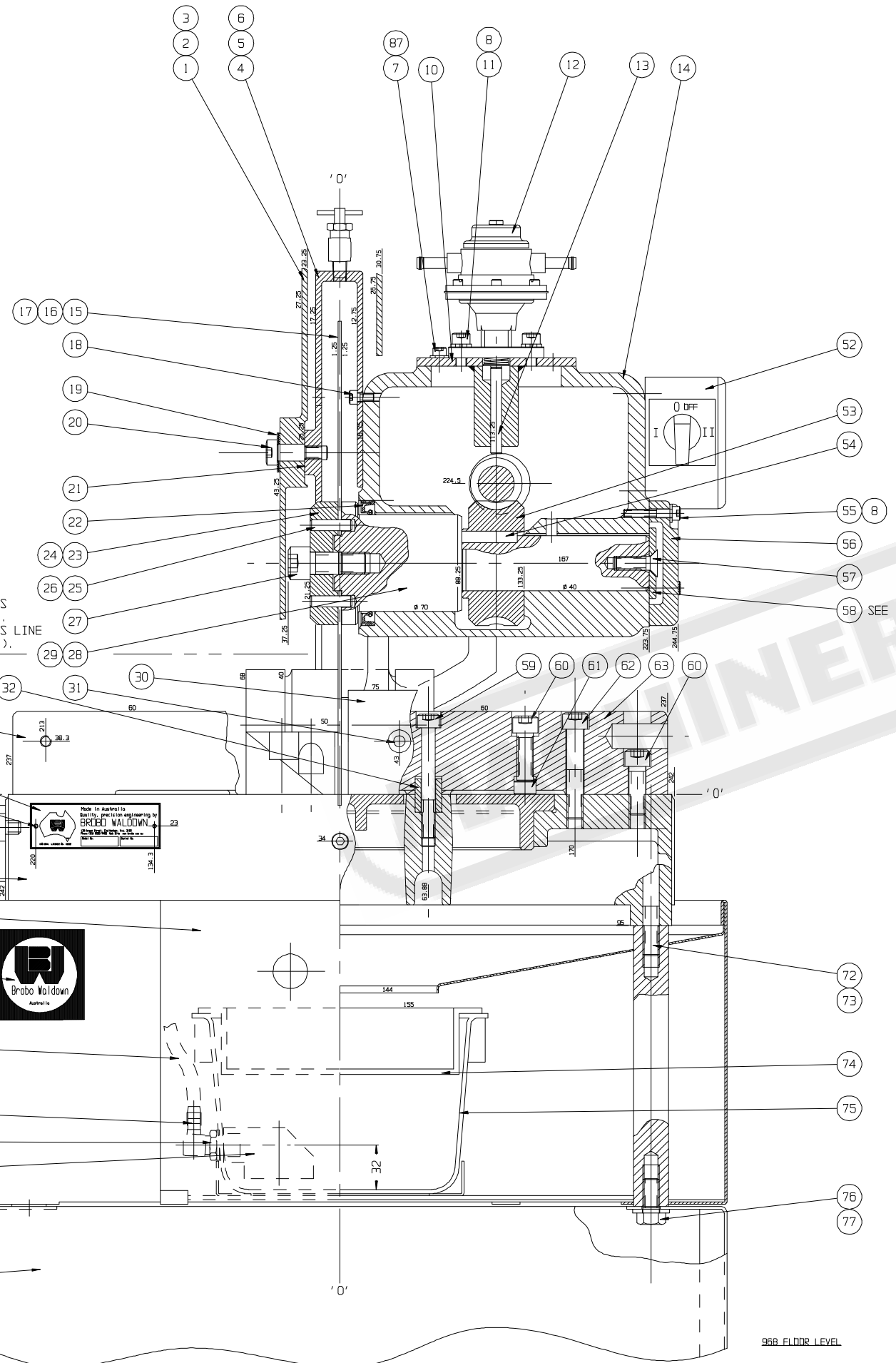
3RD ANGLE

ANGULARITY TOLERANCE < 0° 7'

CONCENTRICITY 0.1 mm

THIS DESIGN OR DRAWING IS NOT SOLD, BUT LENT AND IS SUBJECT TO RECALL. REPRODUCTIONS OF THIS DRAWING IN ANY MATERIAL FORM ARE RESERVED TO BROBO WALDOWN Pty. Ltd. UNDER COPYRIGHT LAW.

NOTE:
- FOR LEAD DIMENSIONS ABOVE THIS LINE USE BLADE AS DATUM ('0').
- FOR LEAD DIMENSIONS BELOW THIS LINE USE THE TABLE AS DATUM ('0').



87	8705840	16	SPRING WASHER Ø 6		04/04/2019
86	8705070	4	SOCKET HEAD CAP SCREW M6 X 20		
85	9315040	1	OIL SEAL Ø 30 X Ø 52 X 7		TC12495
84	9504160	1	CLEAR PLASTIC HOSE Ø 8 I.D. X 300 LG		USE 9505030
83	9312100	1	RETAINER RING (CAST IRON)	A4	
82	9305030	1	TAPER ROLLER BRG. Ø 30 X Ø 72 X 20.75		TYPE 30306
81	9105050	1	TAP		
80	9502120	2	SPRING CLEVIS	A4	
79	9324000	1	WORM SHAFT	A4	
78	9305140	1	HEX LOCK NUT M20 X 1.5		
77	8705810	4	FLAT WASHER Ø 12		
76	8705650	4	HEX HEAD SCREW M12 X 25		
75	9505540	1	COOLANT TANK (PLASTIC)	A4	
74	9523040	1	CHIP BASKET (PERFORATED SHEET)	A4	
73	8705270	2	SOCKET HEAD CAP SCREW M12 X 60		
72	8705300	2	SOCKET HEAD CAP SCREW M12 X 100		
68	8705130	2	SOCKET HEAD CAP SCREW M8 X 25		
63	9332060	1	BACK FENCE RH (CAST IRON)	A3	
62	8705280	4	SOCKET HEAD CAP SCREW M12 X 65		
61	9304220	2	LOCKING PAD Ø 15 X 15 (BRASS)	A4	
60	8705250	4	SOCKET HEAD CAP SCREW M12 X 40		
59	8705210	2	SOCKET HEAD CAP SCREW M10 X 80		
58	9304130	1	RETAINER WASHER Ø 55 X 10	A4	
57	8705420	1	FLAT HEAD SOCKET SCREW M10 X 25		
56	9302110	1	COVER PLATE (CAST AL.)	A4	
55	8705090	3	SOCKET HEAD CAP SCREW M6 X 35		
54	9314420	1	KEY 12 X 8 X 40 LG	A4	
53	9314050	1	WORMWHEEL	A4	
52	9540000	1	ELECTRICAL ARRANGEMENT S300-S400	A3	SHEET 3 OF 3
51	9303040	1	MACHINE STAND WELDMENT - ONE PIECE	A3	
50	9505005	1	BRASS FILTER SCREEN - G0SS MS1223		
49	9503060	1	FILTERING DISK	A4	
48	1005230	1	CIRCLIP INTERNAL Ø 42		
47	9302220	1	FILTER SUCTION HEAD (CAST AL.)	A3	
46	9305970	1	REDUCING BUSH 0-1/4"-3/8"		FROM FESTO
45	9505460	1	SINGLE BARBED ELBOW 5/16" X 1/4" BSPT		
44	9533000	1	MACHINE BASE WELDMENT/COOLANT TANK	A2	
43	9504170	1	CLEAR PLASTIC HOSE Ø 8 I.D. X 1500 LG		USE 9505030
42	8115090	1	TABLE - SMALL	A4	
41	9533010	1	FRONT PANNEL (SHEET METAL)	A4	
40	9312000	1	CLAMPING TABLE (CAST IRON)	A1	
39	9501250	1	CONVEYOR MOUNTING BRACKET - RH	A3	
38	9501240	1	CONVEYOR MOUNTING BRACKET - LH	A3	
35	8715730	2	DRIVE PIN NO. 2		
34	1065100	1	SERIAL NUMBER PLATE	A4	
33	9332070	1	BACK FENCE LH (CAST IRON)	A3	
32	9304770	2	HOLLOW DDWEL Ø 22 X 30	A4	
31	8705380	4	FLAT HEAD SOCKET SCREW M8 X 16		
30	9514280	2	WEAR PLATE LH & RH	A4	
29	9814010	1	MAIN SPINDLE - S400	A3	
28	9504080	1	MAIN SPINDLE - S315/S350	A3	
27	8735090	1	SOCKET HEAD CAP SCREW M16 X 40 LH	A4	
26	8735360	2	DDWEL PIN Ø 10 X 30		FOR S400
25	8715080	2	DDWEL PIN Ø 8 X 25		FOR S315/S350
24	9824000	1	COUNTER PLATE - S400	A4	
23	9504090	1	COUNTER PLATE - S315/S350	A4	
22	9305010	1	OIL SEAL Ø 70 X Ø 90 X 10		PR4277
21	1033010	2	SHIM Ø 25 X Ø 17 X 0.1	A4	
20	8705440	1	SOCKET HEAD SHOULDER SCREW Ø 12 X 20 X M10		
19	8715260	2	DISC SPRING Ø 28 X Ø 12.2 X 1.0		QTY. AS REQ.
18	8705050	5	SOCKET HEAD CAP SCREW M6 X 12		
17	9035140	1	SAWBLADE Ø 400 X 3 X Ø 40 X 200 TEETH		HSS 4.04 T.P.I.
16	9025800	1	SAWBLADE Ø 350 X 2.5 X Ø 40 X 180 TEETH		HSS 4.16 T.P.I.
15	9015880	1	SAWBLADE Ø 300 X 2.5 X Ø 40 X 160 TEETH		HSS 4.31 T.P.I.
14	9512000	1	SAW HEAD/GEARBOX - 315/350/400	A1	CAST IRON
13	9304017	1	PIN - COOLANT PUMP	A4	
12	9405450	1	COOLANT PUMP (G0SS G 6923/ORDINA 1895/6)		INC. GASKET
11	8705120	2	SOCKET HEAD CAP SCREW M8 X 20		
10	9324070	1	COVER PLATE (PUMP TO GEARBOX)	A3	
9	8705350	8	FLAT HEAD SOCKET SCREW M6 X 16		
8	8705850	6	SPRING WASHER Ø 8		
7	8705060	12	SOCKET HEAD CAP SCREW M6 X 16		
6	9802000	1	INNER GUARD - 400 (CAST AL.)	A3	
5	9502040	1	INNER GUARD - 350 (CAST AL.)	A3	
4	9302030	1	INNER GUARD - 315 (CAST AL.)	A3	
3	9505210	1	TABLE (WARNING STICKER)	A4	
2	9532050	1	OUTER GUARD - 350/400 (CAST AL.)	A3	
1	9342040	1	OUTER GUARD - 315 (CAST AL.)	A3	
107	9304170	1	QUICK ACTION NUT	A4	
106	9314090	1	VICE LOCKING HANDLE	A4	
105	9305350	1	SHIM Ø 50 X Ø 62 X 0.1		QTY. AS REQ.
104	9405020	1	WINDOW GASKET Ø 1/2" BSP		
103	9405010	1	OIL SIGHT WINDOW 1/2" BSP		
102	1045020	1	KNOB Ø 38 X M12 - BLACK		
101	9305020	1	TAPER ROLLER BRG. Ø 30 X Ø 62 X 17.25		TYPE 30206
100	9302120	1	BEARING COVER PLATE (CAST AL.)	A4	
99	9605260	1	CUP PLUG (PLASTIC)		
98	9505250	1	HANDLE GRIP		
97	9504110	1	OPERATING HANDLE	A4	
96	9554030	1	SPRING BRACKET UPPER	A4	
95	9305150	1	COMPRESSION SPRING	A4	
94	8735160	2	NYLOC NUT M8		
93	9314690	1	SHOULDER SCREW BR. M.S. Ø 16 X 60	A4	
92	9304660	1	SPACER Ø 39 X Ø 28 X 13	A4	BALDDR
91	9504120	1	SPACER Ø 39 X Ø 24 X 14	A4	CMG MOTOR
90	9301430	1	COUPLING SET Ø 25 X Ø 28		BALDDR MOTOR
89	9301420	1	COUPLING SET Ø 25 X Ø 24		CMG MOTOR
88	9304430	1	KEY 8 X 7 X 31	A4	

E	REVISED	ANH	01/06/2017	RAW MAT. #.	Drawn	Scale	NTS	BROBO WALDOWN AUSTRALIA Pty Ltd	Revision
D	SPRING AND UPPER SPRING BRACKET REVISED	M.G.	15-08-00	Mass in Kg.	Date	Checked			
C	P/N'S 9324070, 9405450 WERE 9314070, 9505230, P/N 9304017 ADDED	M.G.	13-11-98	Mat/Spec	Titled				
B	P/N 9312030 WAS 9302030 & COOLANT MANIFOLD REPLACED WITH NOZZLE	M.G.	22-07-96						
A	REDRAWN ON COMPUTER	M.G.	16-05-96						

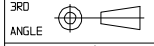
DO NOT SCALE
 COMMERCIAL STOCK SIZES EXCEPTED AND UNLESS OTHERWISE NOTED
 TOLERANCES IN DIMENSIONS ARE:
 METRIC

Size To	Mach. Cost
6 mm ± 0.1	± 0.5
30 mm ± 0.2	± 1.0
100 mm ± 0.3	± 1.5
300 mm ± 0.5	± 2.0
1000 mm ± 0.8	± 3.0
2000 mm ± 1.2	± 5.0

* INCLUDES STRUCTURAL STEEL WORK.
 REMOVE ALL BURRS AND SHARP EDGES BY 0.3 x 45° UNLESS OTHERWISE STATED
 SURFACE FINISH

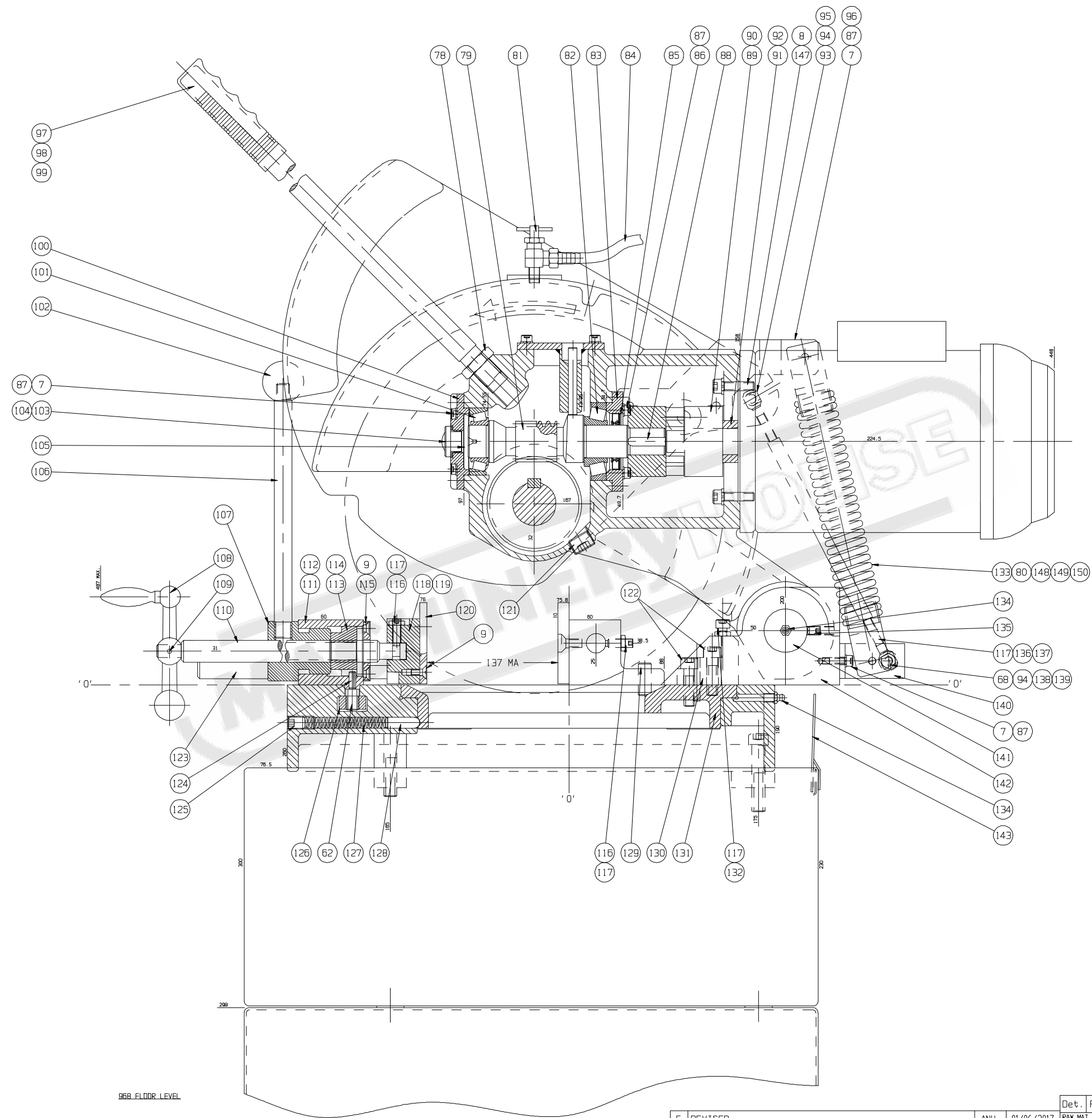
Roughness Value	
Met Linn	Grade No.
50	N12
25	N11
12.5	N10
6.3	N9
3.2	N8
1.6	N7
0.8	N6
0.4	N5
0.2	N4
0.1	N3
0.05	N2
0.025	N1

DRAWING PRACTICE TO AS 1100 - PROJECTION SYSTEM (UNLESS NOTED)



ANGULARITY TOLERANCE < 0° 7'
 CONCENTRICITY 0.1 mm

THIS DESIGN OR DRAWING IS NOT SOLD, BUT LENT AND IS SUBJECT TO RECALL.
 REPRODUCTIONS OF THIS DRAWING IN ANY MATERIAL FORM ARE RESERVED TO BROBD WALDOWN Pty. Ltd. UNDER COPYRIGHT LAW.



Det.	Part No.	Qty.	Name & Material	Sheet	Remark
E	REVISED				
D	SPRING AND UPPER SPRING BRACKET REVISED				
C	P/N'S 9324070, 9405450 WERE 9314070, 9505230, P/N 9304017 ADDED				
B	P/N 9312030 WAS 9302030 & COOLANT MANIFOLD REPLACED WITH NOZZLE				
A	REDRAWN ON COMPUTER				

RAW MAT. #	AS LISTED	Drawn	ANH	Scale	1:2
Mass in Kg.	N/A	Date	01/06/2017	Checked	
Mat/Spec	AS LISTED	Titled		SAW ASSEMBLY S315D, S350D, S400B	

Drw No.	9540000	Revision	
SHEET 2 OF 3			



9540000

SHEET 3 OF 3

DO NOT SCALE

COMMERCIAL STOCK SIZES EXCEPTED AND UNLESS OTHERWISE NOTED TOLERANCES ON DIMENSIONS ARE:

METRIC

Size To	Mach.	Cast*
6 mm	± 0.1	± 0.5
30 mm	± 0.2	± 1.0
100 mm	± 0.3	± 1.5
300 mm	± 0.5	± 2.0
1000 mm	± 0.6	± 3.0
2000 mm	± 1.2	± 5.0

* INCLUDES STRUCTURAL STEEL WORK.

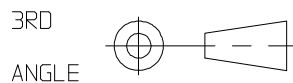
REMOVE ALL BURRS AND SHARP EDGES BY 0.3 x 45° UNLESS OTHERWISE STATED

SURFACE FINISH

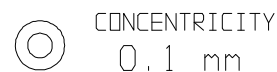
Roughness Value

	Met Umm	Grade No.
ROUGH	50	N12
	25	N11
	12.5	N10
MED	6.3	N 9
	3.2	N 8
FINE	1.6	N 7
	0.8	N 6
S. FINE	0.4	N 5
	0.2	N 4
POLISH	0.1	N 3
	0.05	N 2
	0.025	N 1

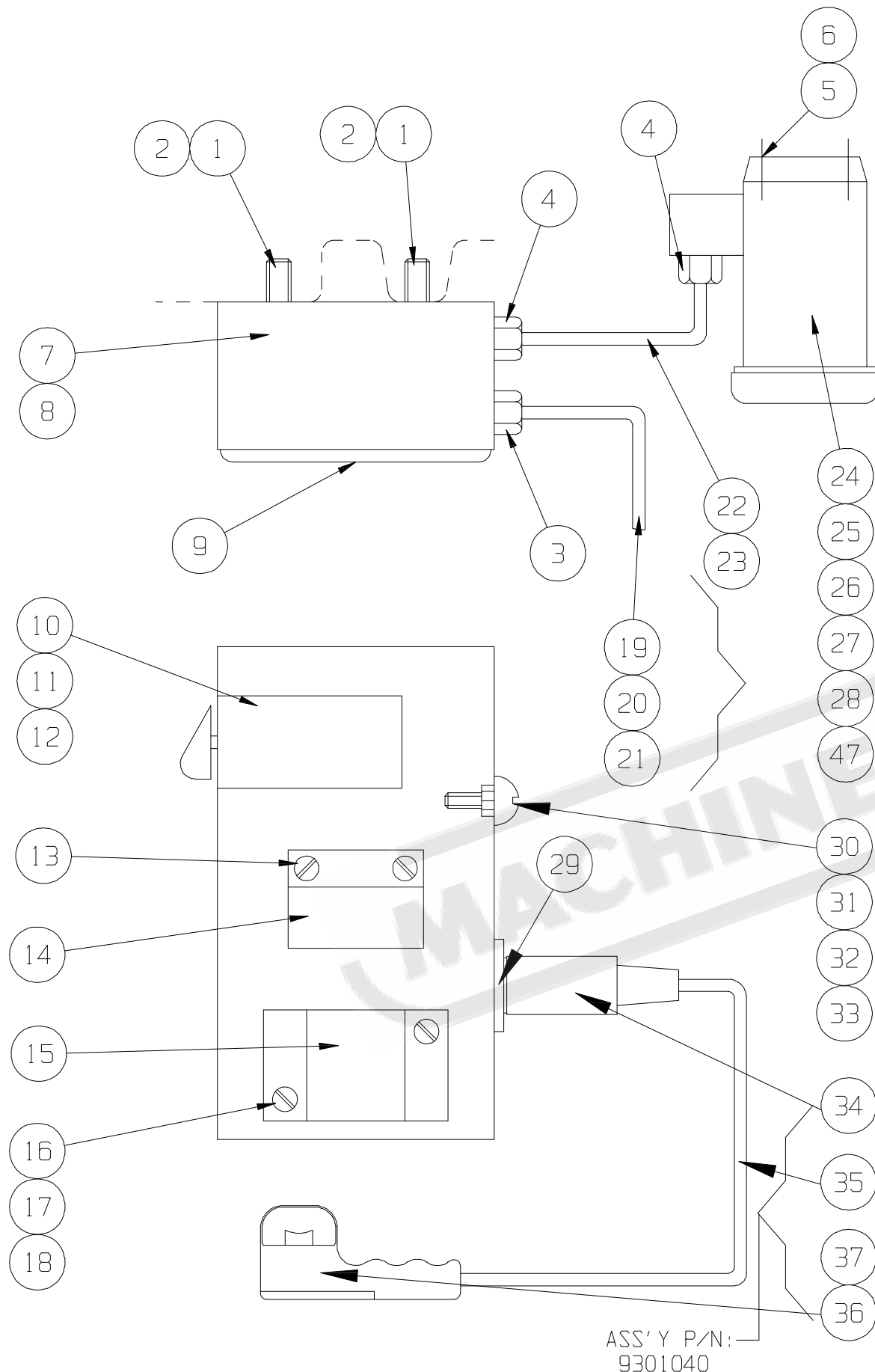
DRAWING PRACTICE TO AS 1100 - PROJECTION SYSTEM (UNLESS NOTED)



ANGULARITY TOLERANCE < 0' 7"



THIS DESIGN OR DRAWING IS NOT SOLD, BUT LENT AND IS SUBJECT TO RECALL. REPRODUCTIONS OF THIS DRAWING IN ANY MATERIAL FORM ARE RESERVED TO BROBD WALDOWN Pty. Ltd. UNDER COPYRIGHT LAW.



ASS'Y P/N: 9301040

Det.	Part No.	Qty.	Name & Material	Sheet	Remark
45	9904100	1	LEAD - TRANSFORMER FEED	A4	
44	9504210	2	JUMPER LEAD	A4	
43	8745180	12	CABLE TIE 412mm LG.		
42	8725210	4	EYELET		
41	8725290	15	SPADE		
40	9504250	1	JUMPER LEAD	A4	
39	9504240	4	JUMPER LEAD	A4	NOT SHOWN
38	9504220	3	JUMPER LEAD	A4	NOT SHOWN
37	9104010	1	OPERATING HANDLE BAR MS PIPE	A4	
36	9105040	1	OPERATING HANDLE SWITCH WITH ENCLOSURE		
35	9304400	1	OPERATING SWITCH LEAD	A4	MAT: 8745100
34	9615500	1	SOCKET		
33	8725650	2	LOCK WASHER		
32	8705770	2	FLAT WASHER Ø 5		
31	8705700	2	HEX. NUT M5		
30	8715310	1	ROUND HD. SLOTTED SCREW M5 x 20 LG. (EARTH)		
29	9615490	1	PLUG		
28	9505620	1	MOTOR 440V, 3PH, 8/4POLE, 1.1/1.5kW, 60Hz		L90 FRAME, FACE MOUNT
27	9505080	1	MOTOR 415V, 3PH, 8/4POLE, 1.1/1.5kW, 50Hz		L90 FRAME, FACE MOUNT
26	9505010	1	MOTOR 415V, 3PH, 4/2POLE, 1.5/2.2kW, 50Hz		L90 FRAME, FACE MOUNT
25	9505150	1	MOTOR 220V, 3PH, 8/4POLE, 1.1/1.5kW, 60Hz		L90 FRAME, FACE MOUNT
24	9505220	1	MOTOR 240V, 1PH, 4POLE, 1.7kW, 50Hz		L90 FRAME, FACE MOUNT
23	9304850	1	MOTOR LEAD 3PH, (ASS'Y) 2 SPED	A4	
22	9304860	1	MOTOR LEAD 1PH, (ASSEMBLY)	A4	
21	9304870	1	SUPPLY LEAD 3PH, (ASSEMBLY)	A4	
20	9314540	1	SUPPLY LEAD 1PH, (NO PLUG FOR USA)	A4	
19	9501280	1	SUPPLY LEAD 1PH, 15AMP	A4	
18	8705760	2	FLAT WASHER Ø 4		
17	8705690	2	HEX. NUT M4		
16	8715280	2	ROUND HD. SLOTTED SCREW M4 x 12 LG.		
15	9315190	1	TRANSFORMER 220-440/24V, 50/60Hz		
14	9315220	1	CONTACTOR		
13	8715850	2	ROUND HD. SLOTTED SCREW M3 x 10 LG.		
12	9305960	1	SWITCH, ROTARY CAM		(N.S.W.-P.W.D.)
11	3835190	1	SWITCH, ROTARY CAM, 1PH & 3PH, 1 SPEED		
10	9305180	1	SWITCH, ROTARY CAM, 3PH, 2 SPEED		
9	9505200	1	LABEL, ELECTRICAL WARNING	A4	
8	9364810	1	ENCLOSURE, LARGE (WITH DEADMAN SWITCH)	A3	USE : 9305880
7	9524130	1	ENCLOSURE, SMALL (STD MACHINE)	A3	USE : 9505260
6	8705850	4	SPRING WASHER Ø 8		
5	8705130	4	SOC. HD. CAP SCREW M8 x 25 LG.		
4	3215270	2	CORDCLAMP STB13		ONLY IF 2 SPEED MOTOR FITTED
3	9305600	1	CORDCLAMP R20		
2	8705780	2	FLAT WASHER Ø 6		
1	8705050	2	SOC. HD. CAP SCREW M6 x 12 LG.		

Det.	Part No.	Qty.	Name & Material	Sheet
50				
49				
48				
47	9505670	1	MOTOR 220V, 3PH, 4/2 POLE, 1.1/1.5kW, 60Hz	
46	9904110	1	LEAD - ELECTRIC INTERLOCK	A4
Det.	Part No.	Qty.	Name & Material	Sheet

Det.	Part No.	Qty.	Name & Material	Sheet	Remark
RAW MAT. #.		Drawn	ANH	Scale	N.T.S.
Mass in Kg.		Date	02/06/2017	Checked	
Mat/Spec		Titled		Drg No.	
AS LISTED		ELECTRICAL ASSEMBLY DIAGRAM S315D, S350D, S400B		9540000 SHEET 3 OF 3	



DRG/PART No.
961000-5

DO NOT SCALE
COMMERCIAL STOCK SIZES
EXCEPTED AND UNLESS
OTHERWISE NOTED
TOLERANCES ON
DIMENSIONS ARE:
METRIC

Size	To Mach.	Cost**
6 mm	± 0.1	± 0.5
30 mm	± 0.2	± 1.0
100 mm	± 0.3	± 1.5
300 mm	± 0.5	± 2.0
1000 mm	± 0.6	± 3.0
2000 mm	± 1.2	± 5.0

* INCLUDES STRUCTURAL
STEEL WORK.

REMOVE ALL BURRS AND
SHARP EDGES BY 0.3 x 45°
UNLESS OTHERWISE STATED

SURFACE FINISH

	Roughness Value	
	Met Urn	Grade No.
ROUGH	50	N12
	25	N11
MED	12.5	N10
	6.3	N9
FINE	3.2	N8
	1.6	N7
S FINE	0.8	N6
	0.4	N5
POLISH	0.2	N4
	0.1	N3
LAP	0.05	N2
	0.025	N1

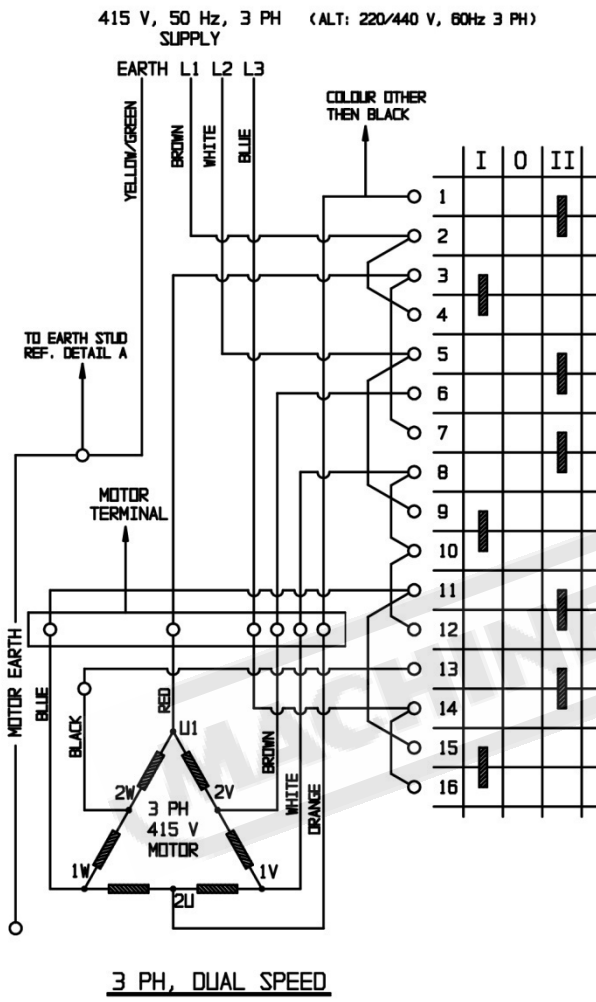
DRAWING PRACTICE TO
AS 1100 - PROJECTION
SYSTEM (UNLESS NOTED)



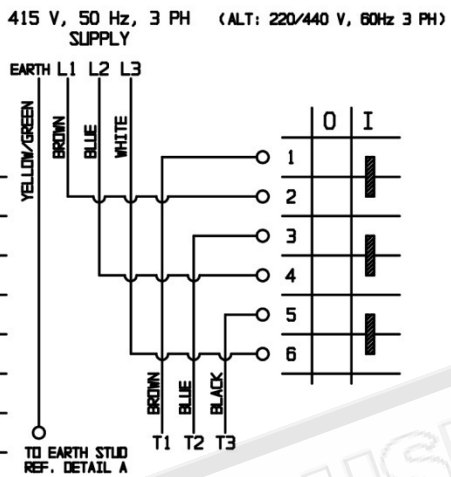
ANGULARITY TOLERANCE
< 0° 7'

CONCENTRICITY
0.1 mm

THIS DESIGN OR DRAWING IS
NOT SOLID, BUT LENT AND IS
SUBJECT TO RECALL.
REPRODUCTIONS OF THIS
DRAWING IN ANY MATERIAL
FORM ARE RESERVED TO
BROBO WALDOWN (AUST)
Pty. Ltd.
UNDER COPYRIGHT LAW.

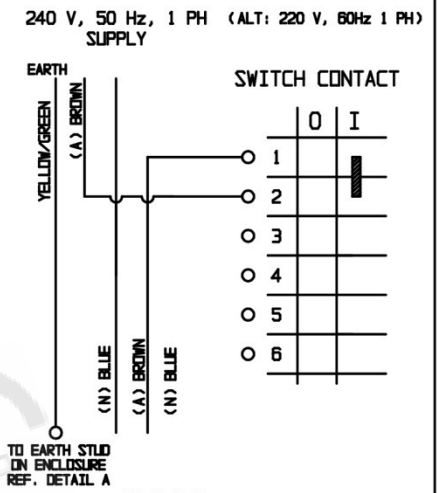


3 PH, DUAL SPEED



TO MOTOR
415 V, 50 Hz, 3 PH
3 PH, ONE SPEED
P/N: 383519

MOTOR CABLE MARKING	CMG MOTOR TERMINAL MARKING	TECO MOTOR TERMINAL MARKING
1	RED	1U
2	WHITE	IV
3	BLUE	1W
4	ORANGE	2U
5	BROWN	2V
6	BLACK	2W



TO MOTOR
240 V, 50 Hz, 1 PH
1 PH
SINGLE PHASE
ON/OFF SWITCH

Det. Part No.	Qty.	Name & Material	Sheet	Remark
RAW MAT. #.	N/A	Drawn M.G.	Scale 1:1	
Mass in Kg.	N/A	Date 28 Jun 95	Checked	
Mat/Spec	N/A	Titled	Drng No.	Revision
ELECTRICAL CIRCUIT FOR 1ph, 3ph & 3ph DUAL SPEED - KLOCKNER MOELLER			961000-5	A

A TECO TERMINAL MARKINGS ADDED M.G. 13-08-03

DRG/PART No.
9301400

DO NOT SCALE
COMMERCIAL STOCK SIZES EXCEPTED AND UNLESS OTHERWISE NOTED
TOLERANCES IN DIMENSIONS ARE:
METRIC

Size To Mch. Cost*
6 mm ± 0.1 ± 0.5
30 mm ± 0.2 ± 1.0
100 mm ± 0.3 ± 1.5
300 mm ± 0.5 ± 2.0
1000 mm ± 0.6 ± 3.0
2000 mm ± 1.2 ± 5.0

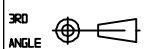
* INCLUDES STRUCTURAL STEEL WORK.

REMOVE ALL BURRS AND SHARP EDGES BY 0.3 x 45° UNLESS OTHERWISE STATED

SURFACE FINISH

Roughness Value	
Met U/n	Grade No.
ROUGH	
50	N12
25	N11
12.5	N10
6.3	N9
3.2	N8
1.6	N7
0.8	N6
0.4	N5
0.2	N4
0.1	N3
0.05	N2
0.025	N1
MED FINE	
0.8	N6
0.4	N5
0.2	N4
0.1	N3
0.05	N2
0.025	N1

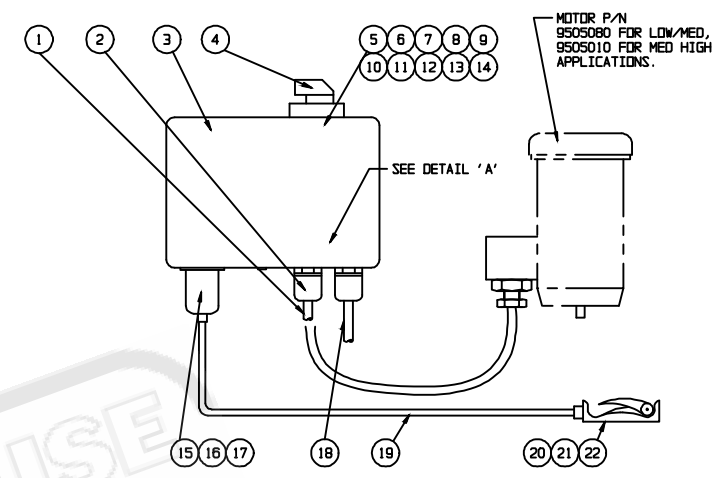
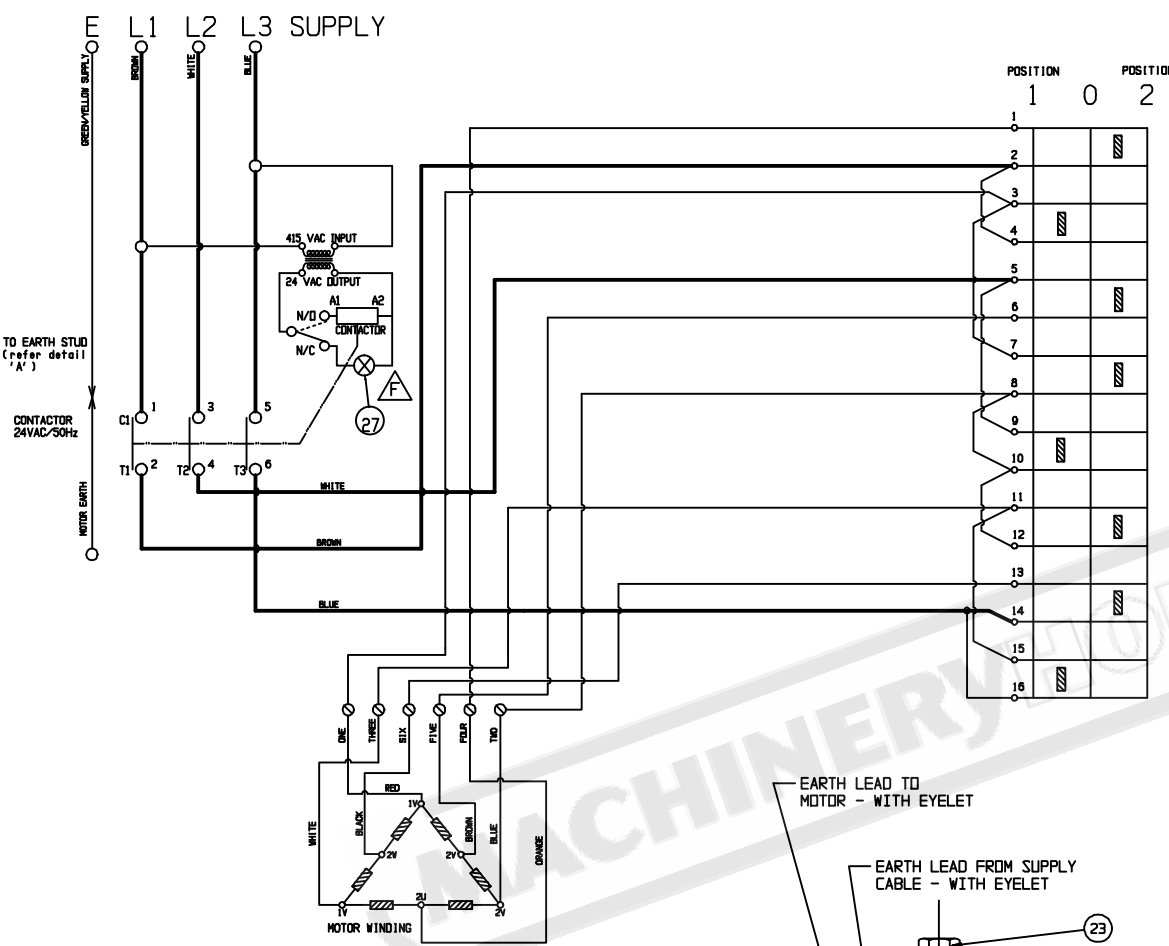
DRAWING PRACTICE TO AS 1100 - PROJECTION SYSTEM (UNLESS NOTED)



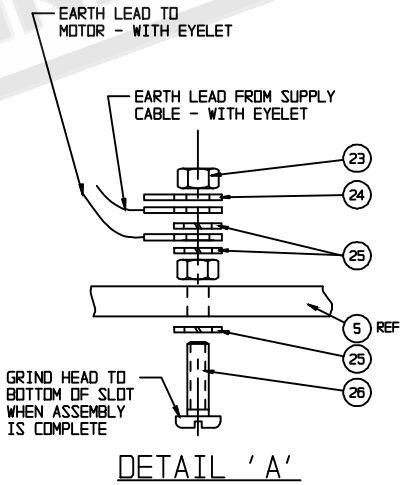
ANGULARITY TOLERANCE < 0° 7'

CONCENTRICITY 0.1 mm

THIS DESIGN OR DRAWING IS NOT SOLD, BUT LENT AND IS SUBJECT TO RECALL. REPRODUCTIONS OF THIS DRAWING IN ANY MATERIAL FORM ARE RESERVED TO BROBD WALDOWN (AUST) Pty. Ltd. UNDER COPYRIGHT LAW.



Item No.	Part No.	Qty.	Description	Material	Remarks
27	3875475	1	LED STANDBY		
26	8715310	1	CHEESE HEAD SLOTTED SCREW M5 X 20		
25	8725650	3	LOCKWASHER Ø 5		
24	8725210	1	EYELET Ø 5 NON INSULATED		SUPPLIED LOOSE
23	8705700	2	HEX NUT M5		
22	9105040	1	DP. HANDLE SWITCH WITH ENCLOSURE		
21	9305140	1	HEX LOCK NUT M20 X 1.5		
20	9104010	1	DP. HANDLE BAR Ø21.3 X 355 LG	A4	
19	9304400	1	DP. SWITCH LEAD 2 CORE 32/0.20	A4	
18	9304850	1	MOTOR LEAD - 3 PHASE	A4	
17	8725720	2	FLAT HEAD SLOTTED SCREW M4 X 16		
16	9615490	1	PLUG IEC 480		
15	9615500	1	SOCKET IEC 550		
14	8745180	12	CABLE TIE 142 MM LONG		
13	8745440	8	BOOTLACE PINS BLP150		
12	8745590	1	SINGLE SOLIDCORE INS. WIRE Ø 1.4 X 1 METRE		
11	8705760	2	FLAT WASHER Ø 4		
10	8705690	2	HEX NUT M4		
9	8705900	2	LOCKWASHER Ø 5/32		
8	8735410	4	CHEESE HEAD SLOTTED SCREW M4 X 10		
7	9315220	1	CONTACTOR 24V AC	A4	
6	9315190	1	TRANSFORMER 220-440/24V 50/60 Hz		
5	9364810	1	ENCLOSURE - LARGE	A3	
4	9305180	1	SWITCH ROTARY CAM - 3 PH		
3	9505200	1	LABEL - ELECTRICAL WARNING	A4	
2	9305600	3	COROCLAMP R20		
1	9304870	1	SUPPLY LEAD - 3 PHASE	A4	



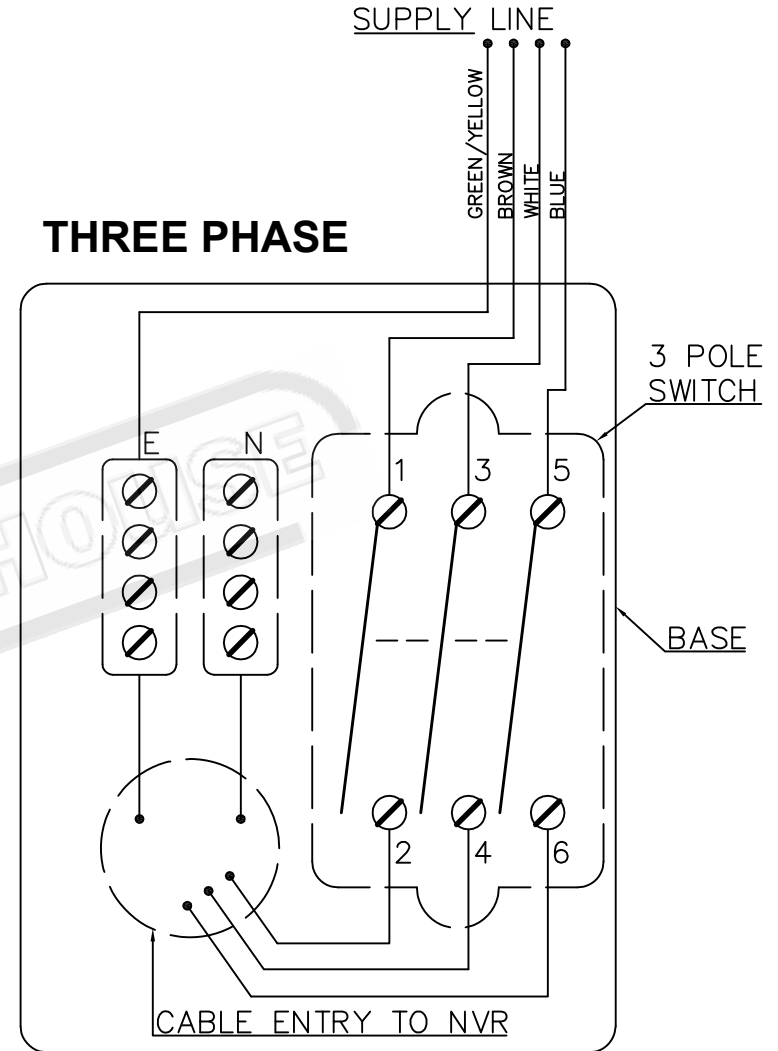
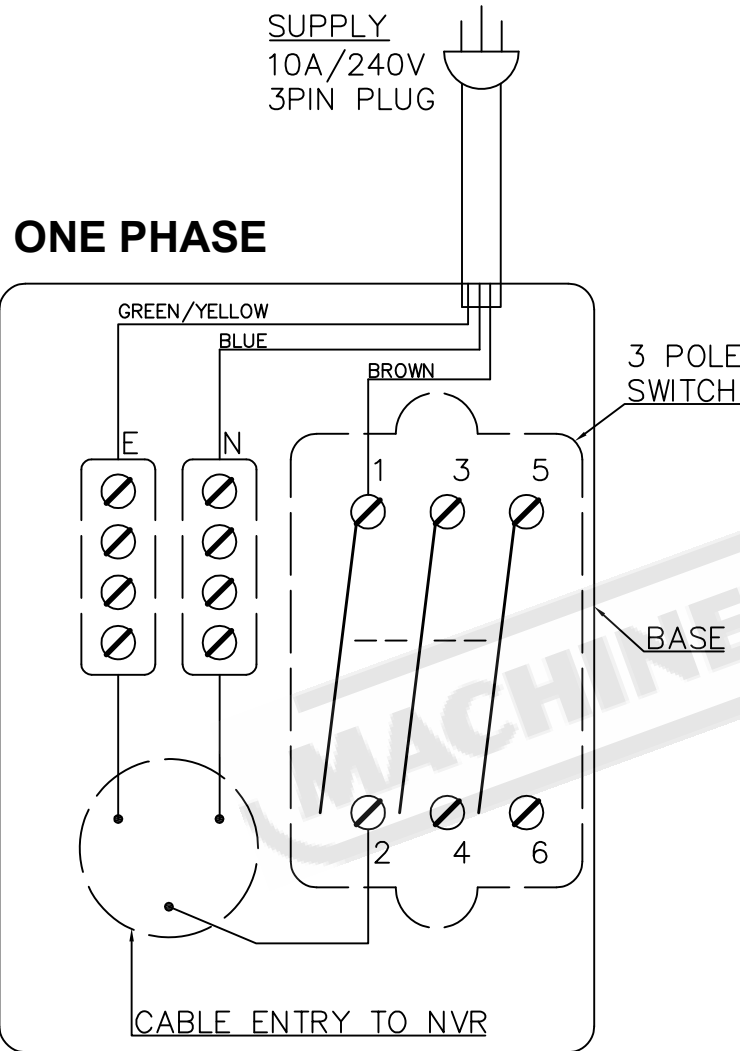
- NOTES:
- ITEM 1 CONSISTS OF 4 CORE 30/0.25 FLEX WITH 1 OFF H3115 EYELET FOR EARTH, AND 7 OFF BLP150 BOOT LACE PINS.
 - ITEM 18 CONSISTS OF 7 CORE 30/0.25 FLEX WITH 2 OFF H3115 EYELETS FOR EARTH, AND 12 OFF BLP150 BOOT LACE PINS.
 - ITEM 19 CONSISTS OF 2 CORE 32/0.20 FLEX, ONE END STRIP 13mm, OTHER END CRIMP WITH 2X SPADE LUG (FIGCI 25.6.4.06) OR SOLDER.
 - ALL OTHER WIRES CONNECTING BETWEEN SWITCHGEAR AND COMPONENTS TO HAVE BLP150 BOOT LACE PINS.

Rev	Description	Det.	Part No.	Qty.	Name & Material	Sheet	Remark
F	REVISED	ANH	08-05-17				
E	P/N 8725210 WAS 8735400, 8735390 DELETED	M.G.	15-08-02				
D	P/N'S 9615490, 9615500 WERE 9605490, 9605500.	M.G.	9-04-96				
C	REDRAWN ON COMPUTER, REVISED AND SCHEMATIC ADDED	M.G.	11-10-95				
B	ITEM 12 WAS 8705030 FLEX CABLE	G.F.	7-03-94				
A	ITEMS 15 & 16 WERE 930517/F & 930517/M	G.F.	3-12-93				


RAW MAT. #	N/A	Drawn	ANH	Scale	1:1
Mass In Kg.	N/A	Date	08.05.2017	Checked	
Mat/Spec	N/A	Titled		ELECTRICAL ASS'Y FOR 3 PHASE SAWS WITH DMT HANDLE	
Det. Part No.			None & Material		
Sheet			Remark		

Brobd Waldown Australia Pty Ltd
 Drg No. **9301400** Revision **1**

RevNo	Revision note	Date	Signature	Checked
1		31.03.2017		

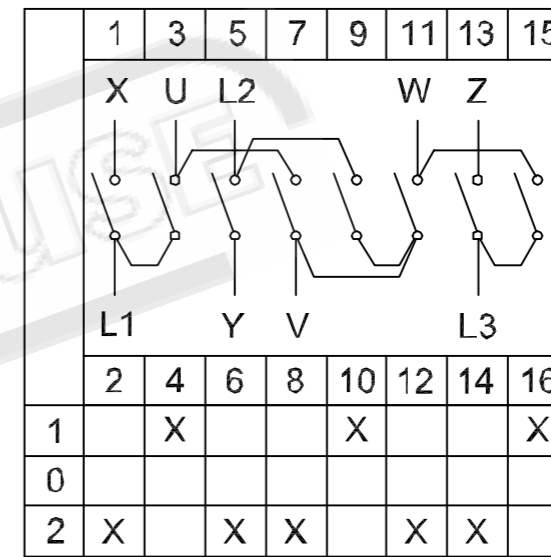
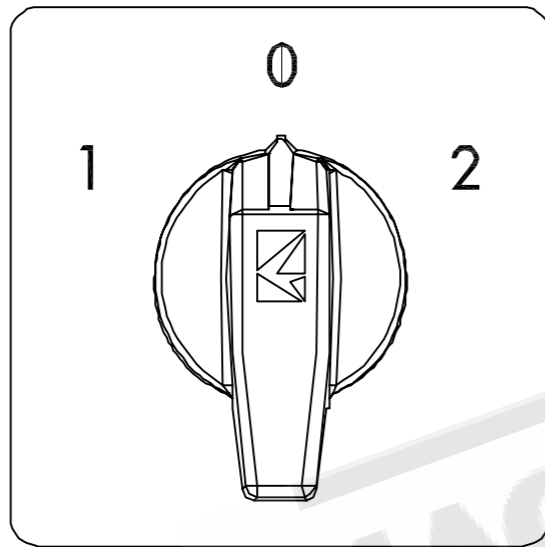


COMPONENT / SCHEMATIC / WIRING DIAGRAMS FOR CONNECTION FOR 1 PHASE OR 3 PHASE CIRCUIT


FILE NAME	Electrical Diagram.dwg	SHEET	-	SCALE	NTS
SIZE	A3				
DRAWN					
CHECK					
APPR.					
ISSUED	31.03.2017 ANH				
REV	1				
CONTRACT NO					
		 BROBO GROUP 8 Fowler Road Dandenong Vic3175			
		DWG NO 2017-0331			

<p>DRG/PART No.</p> <p>DO NOT SCALE</p> <p>COMMERCIAL STOCK SIZES EXCEPTED AND UNLESS OTHERWISE NOTED TOLERANCES ON DIMENSIONS ARE:</p> <p>METRIC</p> <p>Size To Mach. Cost*</p> <p>6 mm ± 0.1 ± 0.5</p> <p>30 mm ± 0.2 ± 1.0</p> <p>100 mm ± 0.3 ± 1.5</p> <p>300 mm ± 0.5 ± 2.0</p> <p>1000 mm ± 0.6 ± 3.0</p> <p>2000 mm ± 1.2 ± 5.0</p> <p>* INCLUDES STRUCTURAL STEEL WORK.</p> <p>REMOVE ALL BURRS AND SHARP EDGES BY 0.3 x 45° UNLESS OTHERWISE STATED</p> <p>SURFACE FINISH</p> <table border="1" style="width: 100%; border-collapse: collapse;"> <thead> <tr> <th rowspan="2"></th> <th colspan="2">Roughness Value</th> </tr> <tr> <th>Met Usm</th> <th>Grade No.</th> </tr> </thead> <tbody> <tr> <td rowspan="2">ROUGH</td> <td>50</td> <td>N12</td> </tr> <tr> <td>25</td> <td>N11</td> </tr> <tr> <td rowspan="2">MED</td> <td>12.5</td> <td>N10</td> </tr> <tr> <td>6.3</td> <td>N 9</td> </tr> <tr> <td rowspan="2">FINE</td> <td>3.2</td> <td>N 8</td> </tr> <tr> <td>1.6</td> <td>N 7</td> </tr> <tr> <td rowspan="2">S FINE</td> <td>0.8</td> <td>N 6</td> </tr> <tr> <td>0.4</td> <td>N 5</td> </tr> <tr> <td rowspan="2">POLISH</td> <td>0.2</td> <td>N 4</td> </tr> <tr> <td>0.1</td> <td>N 3</td> </tr> <tr> <td rowspan="2">LAP</td> <td>0.05</td> <td>N 2</td> </tr> <tr> <td>0.025</td> <td>N 1</td> </tr> </tbody> </table> <p>DRAWING PRACTICE TO AS 1100 - PROJECTION SYSTEM (UNLESS NOTED)</p> <p>3RD ANGLE </p> <p>ANGULARITY TOLERANCE < 0° 7'</p> <p>CONCENTRICITY 0.1 mm</p> <p>THIS DESIGN OR DRAWING IS NOT SOLD, BUT LENT AND IS SUBJECT TO RECALL. REPRODUCTIONS OF THIS DRAWING IN ANY MATERIAL FORM ARE RESERVED TO BROBO WALDOWN (AUST) Pty. Ltd. UNDER COPYRIGHT LAW.</p>		Roughness Value		Met Usm	Grade No.	ROUGH	50	N12	25	N11	MED	12.5	N10	6.3	N 9	FINE	3.2	N 8	1.6	N 7	S FINE	0.8	N 6	0.4	N 5	POLISH	0.2	N 4	0.1	N 3	LAP	0.05	N 2	0.025	N 1	<p>(DRAWING NOT TO SCALE)</p> <p>COMPONENT LAYOUT & ELECTRICAL SCHEMATIC DRAWINGS (3PH with DMT)</p>	<table border="1" style="width: 100%; border-collapse: collapse;"> <tbody> <tr><td>13</td><td>9105040</td><td>1</td><td>TRIGGER SWITCH (N/O Contact)</td><td></td><td></td></tr> <tr><td>12</td><td>9104010</td><td>1</td><td>OPERATING HANDLE BAR</td><td></td><td></td></tr> <tr><td>11</td><td>8745100</td><td>1</td><td>2-CORE CABLE (1.0mm)</td><td></td><td></td></tr> <tr><td>10</td><td>9615490</td><td>1</td><td>PLUG</td><td></td><td></td></tr> <tr><td>9</td><td>9315220</td><td>1</td><td>24V CONTACTOR (MOELLER, DILEM-10)</td><td></td><td></td></tr> <tr><td>8</td><td>9315190</td><td>1</td><td>TRANSFORMER (415V/240V/24V)</td><td></td><td></td></tr> <tr><td>7</td><td>9615500</td><td>4</td><td>FEMALE SOCKET</td><td></td><td></td></tr> <tr><td>6</td><td>8715310</td><td>3</td><td>EARTH STUD (M5 x 20)</td><td></td><td></td></tr> <tr><td>5</td><td>8745140</td><td>9</td><td>4-CORE CABLE POWER SUPPLY (1.5mm)</td><td></td><td></td></tr> <tr><td>4</td><td>8745150</td><td>6</td><td>7-CORE CABLE MOTOR SUPPLY (1.5mm)</td><td></td><td></td></tr> <tr><td>3</td><td>9305600</td><td>3</td><td>CABLE GLAND</td><td></td><td></td></tr> <tr><td>2</td><td>9354810</td><td>3</td><td>ENCLOSURE</td><td></td><td></td></tr> <tr><td>1</td><td>9305180</td><td>1</td><td>2-SPEED SWITCH (MOELLER, TO-48441)</td><td></td><td></td></tr> </tbody> </table> <table border="1" style="width: 100%; border-collapse: collapse;"> <thead> <tr> <th>DET.</th> <th>PART NO.</th> <th>DATE</th> <th>NAME & MATERIAL</th> <th>SHEET</th> <th>REMARK</th> </tr> </thead> <tbody> <tr> <td>Raw Material</td> <td>N/A</td> <td>Drawn</td> <td>Date</td> <td>Checked</td> <td>Date</td> </tr> <tr> <td>Project No.</td> <td>-</td> <td>J.L</td> <td>06/03/07</td> <td>Scale</td> <td>1:?</td> </tr> <tr> <td>Man/Spec.</td> <td>N/A</td> <td>Manufacture Qty.</td> <td>Qty. Per Unit</td> <td>Sub Assembly</td> <td>Layout No.</td> </tr> <tr> <td></td> <td></td> <td>-</td> <td>AS SHOWN</td> <td></td> <td></td> </tr> </tbody> </table> <p style="text-align: center;">ELECTRICAL SCHEMATIC DRAWINGS</p> <p style="text-align: right;">BROBO WALDOWN AUSTRALIA PTY LTD</p> <p style="text-align: right;">Det. No. Revision</p>	13	9105040	1	TRIGGER SWITCH (N/O Contact)			12	9104010	1	OPERATING HANDLE BAR			11	8745100	1	2-CORE CABLE (1.0mm)			10	9615490	1	PLUG			9	9315220	1	24V CONTACTOR (MOELLER, DILEM-10)			8	9315190	1	TRANSFORMER (415V/240V/24V)			7	9615500	4	FEMALE SOCKET			6	8715310	3	EARTH STUD (M5 x 20)			5	8745140	9	4-CORE CABLE POWER SUPPLY (1.5mm)			4	8745150	6	7-CORE CABLE MOTOR SUPPLY (1.5mm)			3	9305600	3	CABLE GLAND			2	9354810	3	ENCLOSURE			1	9305180	1	2-SPEED SWITCH (MOELLER, TO-48441)			DET.	PART NO.	DATE	NAME & MATERIAL	SHEET	REMARK	Raw Material	N/A	Drawn	Date	Checked	Date	Project No.	-	J.L	06/03/07	Scale	1:?	Man/Spec.	N/A	Manufacture Qty.	Qty. Per Unit	Sub Assembly	Layout No.			-	AS SHOWN		
		Roughness Value																																																																																																																																															
	Met Usm	Grade No.																																																																																																																																															
ROUGH	50	N12																																																																																																																																															
	25	N11																																																																																																																																															
MED	12.5	N10																																																																																																																																															
	6.3	N 9																																																																																																																																															
FINE	3.2	N 8																																																																																																																																															
	1.6	N 7																																																																																																																																															
S FINE	0.8	N 6																																																																																																																																															
	0.4	N 5																																																																																																																																															
POLISH	0.2	N 4																																																																																																																																															
	0.1	N 3																																																																																																																																															
LAP	0.05	N 2																																																																																																																																															
	0.025	N 1																																																																																																																																															
13	9105040	1	TRIGGER SWITCH (N/O Contact)																																																																																																																																														
12	9104010	1	OPERATING HANDLE BAR																																																																																																																																														
11	8745100	1	2-CORE CABLE (1.0mm)																																																																																																																																														
10	9615490	1	PLUG																																																																																																																																														
9	9315220	1	24V CONTACTOR (MOELLER, DILEM-10)																																																																																																																																														
8	9315190	1	TRANSFORMER (415V/240V/24V)																																																																																																																																														
7	9615500	4	FEMALE SOCKET																																																																																																																																														
6	8715310	3	EARTH STUD (M5 x 20)																																																																																																																																														
5	8745140	9	4-CORE CABLE POWER SUPPLY (1.5mm)																																																																																																																																														
4	8745150	6	7-CORE CABLE MOTOR SUPPLY (1.5mm)																																																																																																																																														
3	9305600	3	CABLE GLAND																																																																																																																																														
2	9354810	3	ENCLOSURE																																																																																																																																														
1	9305180	1	2-SPEED SWITCH (MOELLER, TO-48441)																																																																																																																																														
DET.	PART NO.	DATE	NAME & MATERIAL	SHEET	REMARK																																																																																																																																												
Raw Material	N/A	Drawn	Date	Checked	Date																																																																																																																																												
Project No.	-	J.L	06/03/07	Scale	1:?																																																																																																																																												
Man/Spec.	N/A	Manufacture Qty.	Qty. Per Unit	Sub Assembly	Layout No.																																																																																																																																												
		-	AS SHOWN																																																																																																																																														

RevNo	Revision note	Date	Signature	Checked
0	ISSUED	28/08/2017		ANH

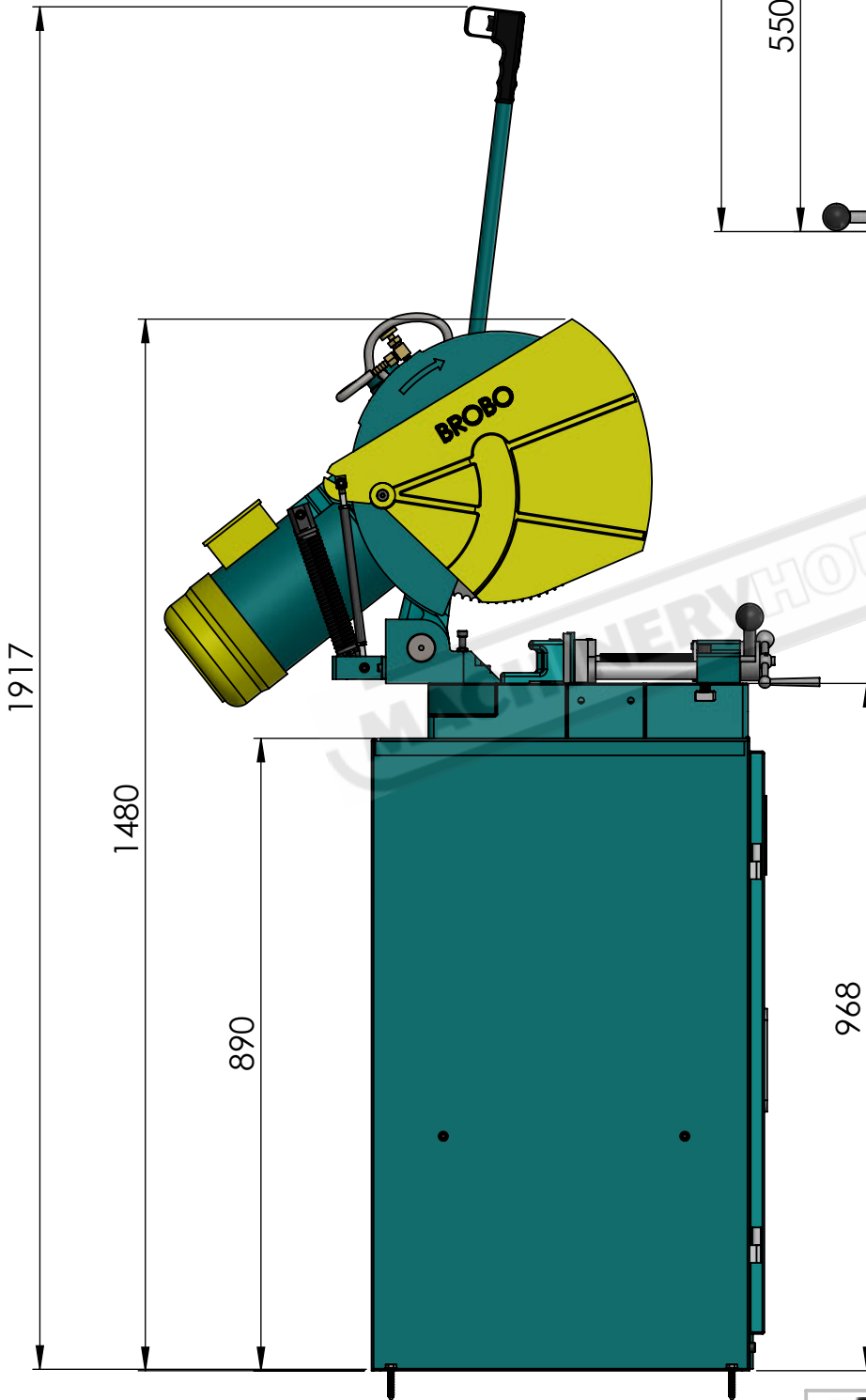


ELECTRICAL DIAGRAM
2 Speed Switch (1-0-2)

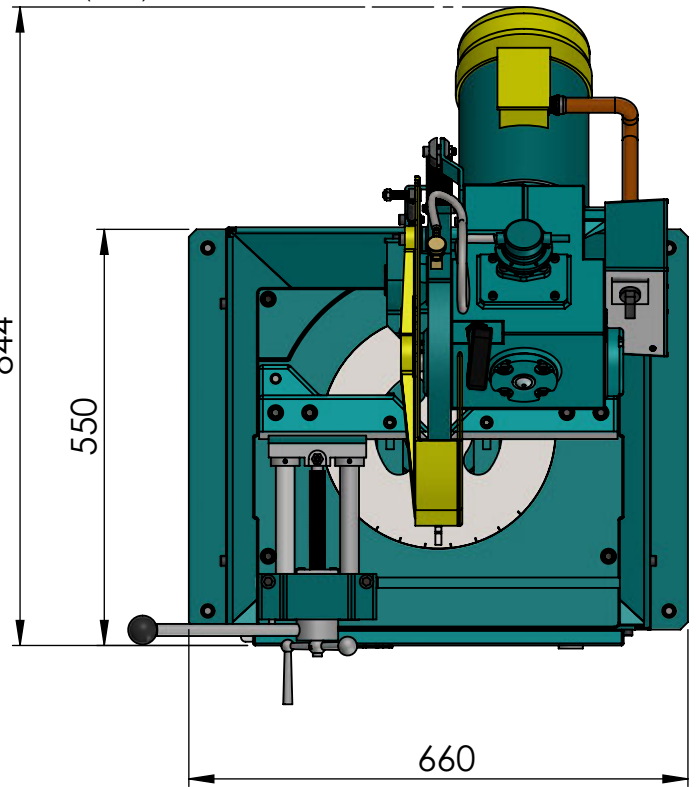
FILE NAME	E2017082801 PSA Cam Switch.dwg	SHEET	-	SCALE	NTS
SIZE	A3				
DRAWN					
CHECK					
APPR.					
ISSUED	28.08.2017 ANH	 BROBO GROUP 8 Fowler Road Dandenong Vic3175			
REV	0				
CONTRACT NO		DWG NO	E2017082801		

NOTE

MINIMUM 600MM ALL
AROUND SAFE SPACE FOR
OPERATING ZONE



SIDE VIEW



TOP VIEW



BROBO GROUP

ISSUED DATE 25.08.2017
DRAWN BY ANH

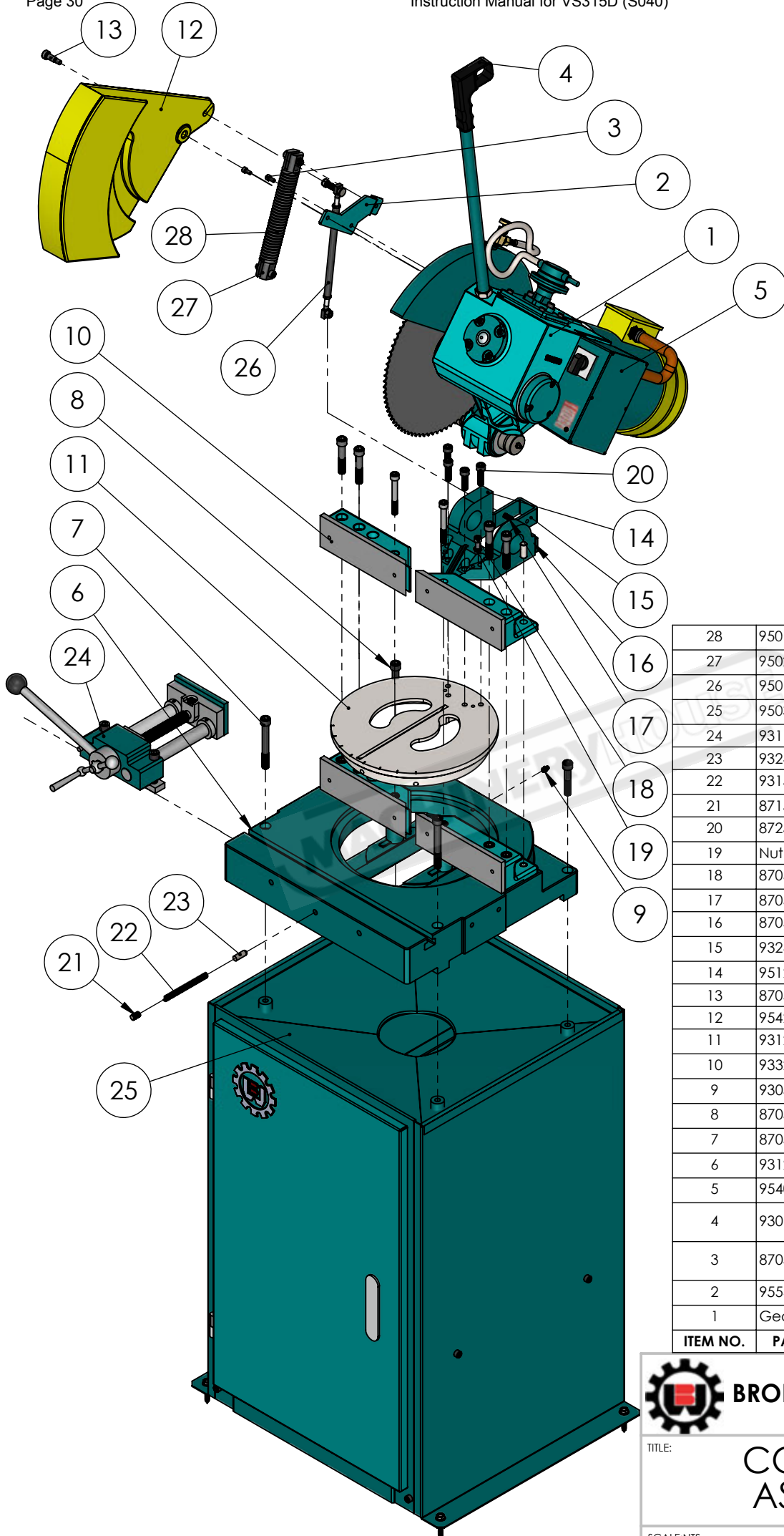
TITLE:

**COLD SAW
MAIN DIMENSIONS**

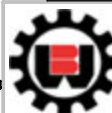
A4

SCALE:NTS

SHEET 1 OF 1



28	9501670	Spring Assembly	1
27	9502120	Spring Clevis	2
26	9501300	Link Assembly	1
25	9503130	Saw Stand Assembly	1
24	9311060	Standard Manual Vice	1
23	9324180	Pin Lock	1
22	9315000	Spring 9.5x110mm	1
21	8715810	Head Set M12x16	1
20	8725500	Soc HD Cap M10x35	4
19	Nut M8	Hex Head M8	3
18	8705140	Soc HD Cap M8x35	3
17	8705130	Screw M8x25	1
16	8705340	Hex HD Cap M6x16	2
15	9324270	Spring Bracket Lower	1
14	9512030	Pivot Block	1
13	8705440	SH Shoulder M10	1
12	9542050	Outer Guard	1
11	9312020	Rotary Table	1
10	9332060	Back Fence Assembly	2
9	9305110	Grease Nipple M8	1
8	8705270	Soc HD Cap M12x60	2
7	8705300	Soc HD Cap M12x100	2
6	9312000	Clamping Table	1
5	9540000	Electrical Box Assembly	1
4	9301040	Deadman Trigger Assembly	1
3	8705050	Screw Soc Hex HD Cap M6x12	2
2	9554030	Spring Bracket Upper	1
1	Gearbox	Gearbox Assembly	1
ITEM NO.	PART NO.	DESCRIPTION	QTY.



BROBO GROUP

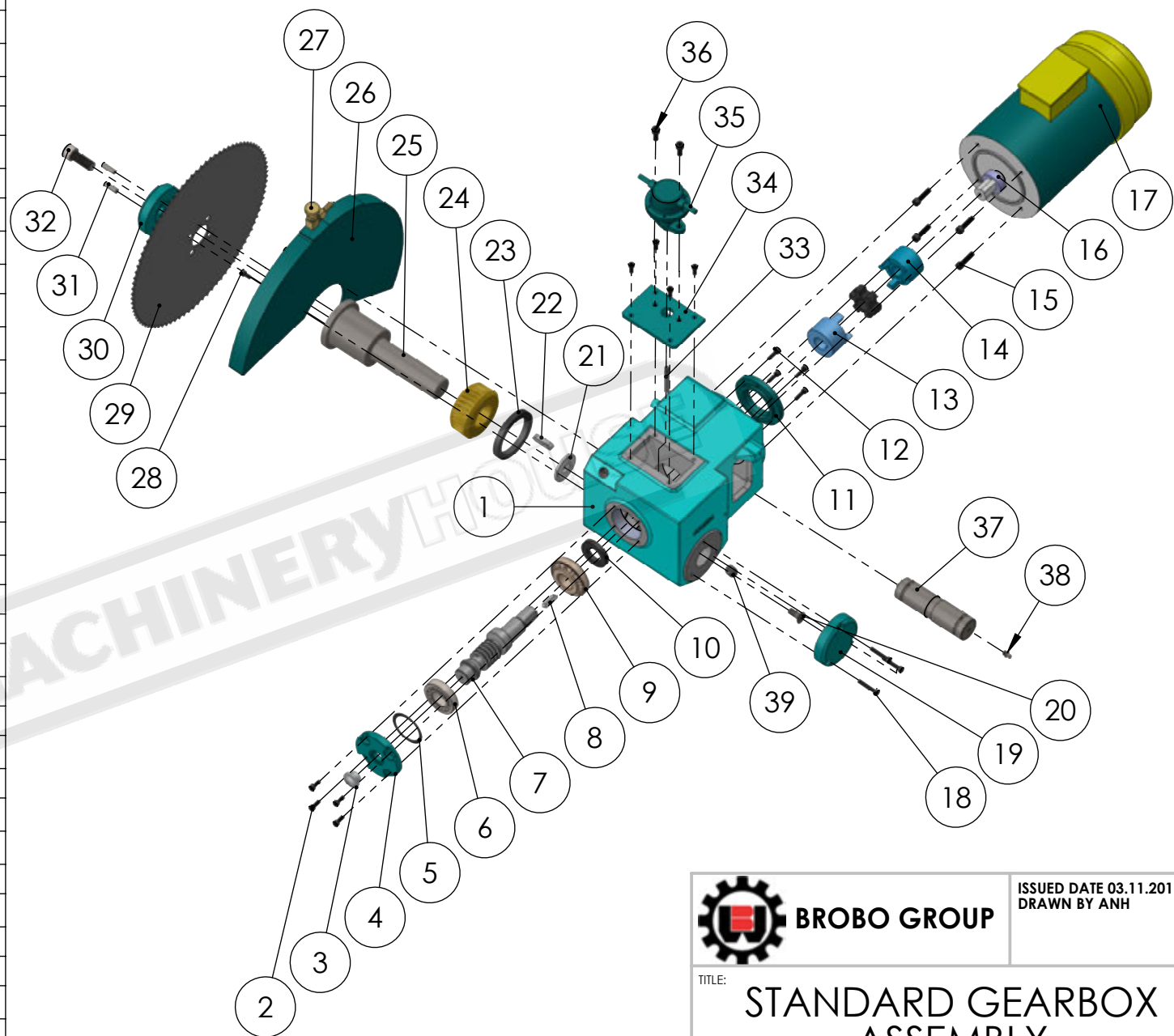
ISSUED DATE 03.11.2017
DRAWN BY ANH

TITLE:


**COLD SAW
ASSEMBLY**

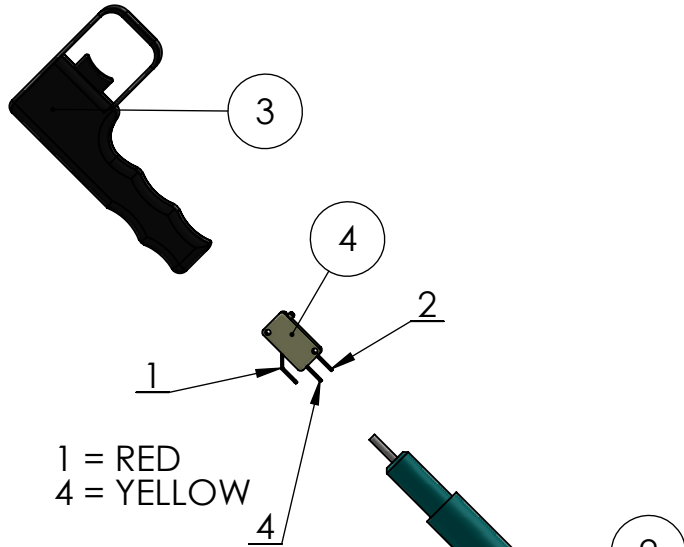
A4

ITEM NO.	PART NUMBER	DESCRIPTION	QTY.
1	9512000	Gearbox	1
2	8705340	Hex HD Cap M6x16	8
3	9405010	Oil Sight Window	1
4	9302120	Front Cover Plate	1
5	9305350	Shim 50x62x0.1	1
6	9305020	Taper Roller Bearing 30x62x17.25	1
7	9314000	Worm Shaft	1
8	9304430	Key Wormshaft 7x8x32	1
9	9305030	Taper Roller Bearing 30x72x20.75	1
10	9315040	Oil Seal $\phi 52 \times \phi 30 \times 8$	1
11	9312100	Retainer Ring	1
12	8705070	Screw Soc Hex HD Cap M6x20	4
13	9301430	Jaw Coupling ML100 25mm	1
14	9301420	Jaw Coupling ML100 24mm	1
15	8725770	Screw Soc HD Cap M8x30	4
16	9504120	Spacer 39x24x14	1
17	-	Motor	1
18	8705090	Screw Soc Hex HD Cap M6x35	3
19	9302110	Side Cover Plate	1
20	8705420	Screw Flat Head M10x25	1
21	9304130	Retainer Washer 55x10	1
22	9314420	Key - Main Spinder	1
23	9305010	Seal	1
24	9314050	WormWheel	1
25	9504080	Main Spindle S315.S350	1
26	9502040	Inner Guard	1
27	9105050	Coolant Tap	1
28	8705050	Screw Soc Hex HD Cap M6x12	2
29	9025800	Sawblade 350	1
30	9504090	Spindle Counter Plate	1
31	8715080	Roll Pin 8x25	2
32	8735090	M16 x 40	1
33	9304017	Pin - Coolant Pump	1
34	9324070	Cover Plate (10)	1
35	9405450	Coolant Pump	1
36	8705120	Screw M8x20	2
37	9304030	Pivot Shaft	1
38	9305110	Grease Nipple M8	2



* Bolt M6 with Spring Washer $\phi 6$ (8705840)

 BROBO GROUP	ISSUED DATE 03.11.2017 DRAWN BY ANH	
	TITLE: STANDARD GEARBOX ASSEMBLY	
PART NO.	-	A4
SCALE:NTS	SHEET 1 OF 1	



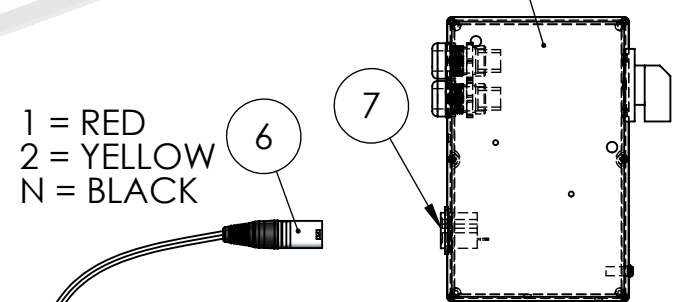
ITEM NO.	PART NUMBER	DESCRIPTION	QTY.
1	-	Nut M16	1
2	9104010	Swing Handle	1
3	9105040	Deadman Trigger	1
4	MS	Micro Switch	1
5	Cable	Cable White	1


ITEM NO.	PART NUMBER	DESCRIPTION	QTY.
6	9615500	XLR Line Plugs AC3MM PD5302	1

ITEM NO.	PART NUMBER	DESCRIPTION	QTY.
7	9615490	XLR Socket PD5367	1

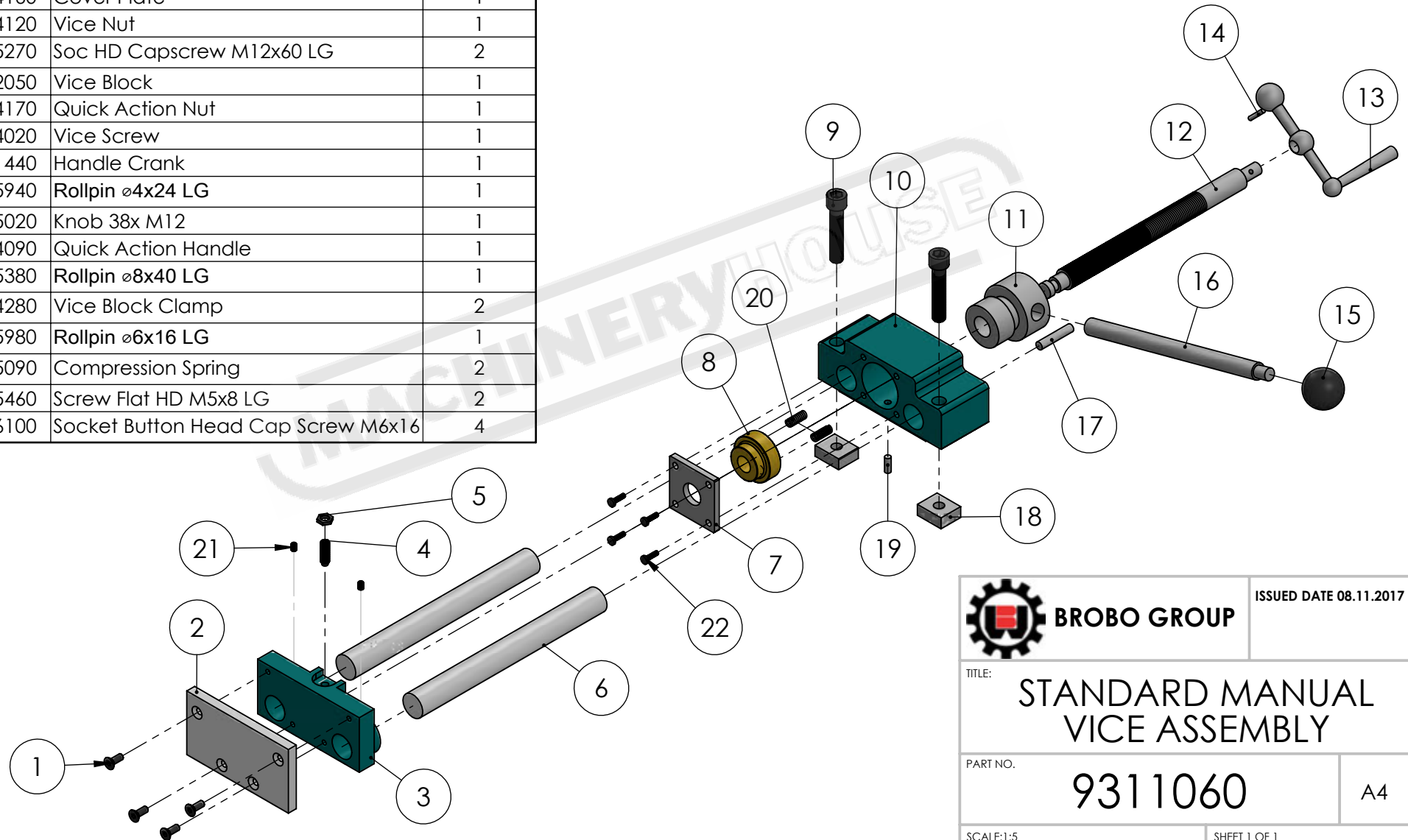


Electrical Box Assembly



 BROBO GROUP	ISSUED DATE 25.07.2017 DRAWN BY ANH	
	TITLE: DEADMAN TRIGGER ASSEMBLY	
PART NO. 9301040	A4	
SCALE:NTS	SHEET 1 OF 1	

ITEM NO.	PART NO.	DESCRIPTION	QTY.
1	8705350	Flat HD Soc Screw M6x16 LG	4
2	9314100	Jaw Pad (Front)	1
3	9312090	Vice Jaw	1
4	8705500	Soc Setscrew M8x25 Halfdog	1
5	8715210	Hex LockNut M8	1
6	9304080	Vice Guide Rod	2
7	9304160	Cover Plate	1
8	9304120	Vice Nut	1
9	8705270	Soc HD Capscrew M12x60 LG	2
10	9312050	Vice Block	1
11	9304170	Quick Action Nut	1
12	9314020	Vice Screw	1
13	9301440	Handle Crank	1
14	8705940	Rollpin $\varnothing 4 \times 24$ LG	1
15	1045020	Knob 38x M12	1
16	9314090	Quick Action Handle	1
17	8735380	Rollpin $\varnothing 8 \times 40$ LG	1
18	9314280	Vice Block Clamp	2
19	8705980	Rollpin $\varnothing 6 \times 16$ LG	1
20	9405090	Compression Spring	2
21	8705460	Screw Flat HD M5x8 LG	2
22	8726100	Socket Button Head Cap Screw M6x16	4



BROBO GROUP

ISSUED DATE 08.11.2017

TITLE:

STANDARD MANUAL
VICE ASSEMBLY

PART NO.

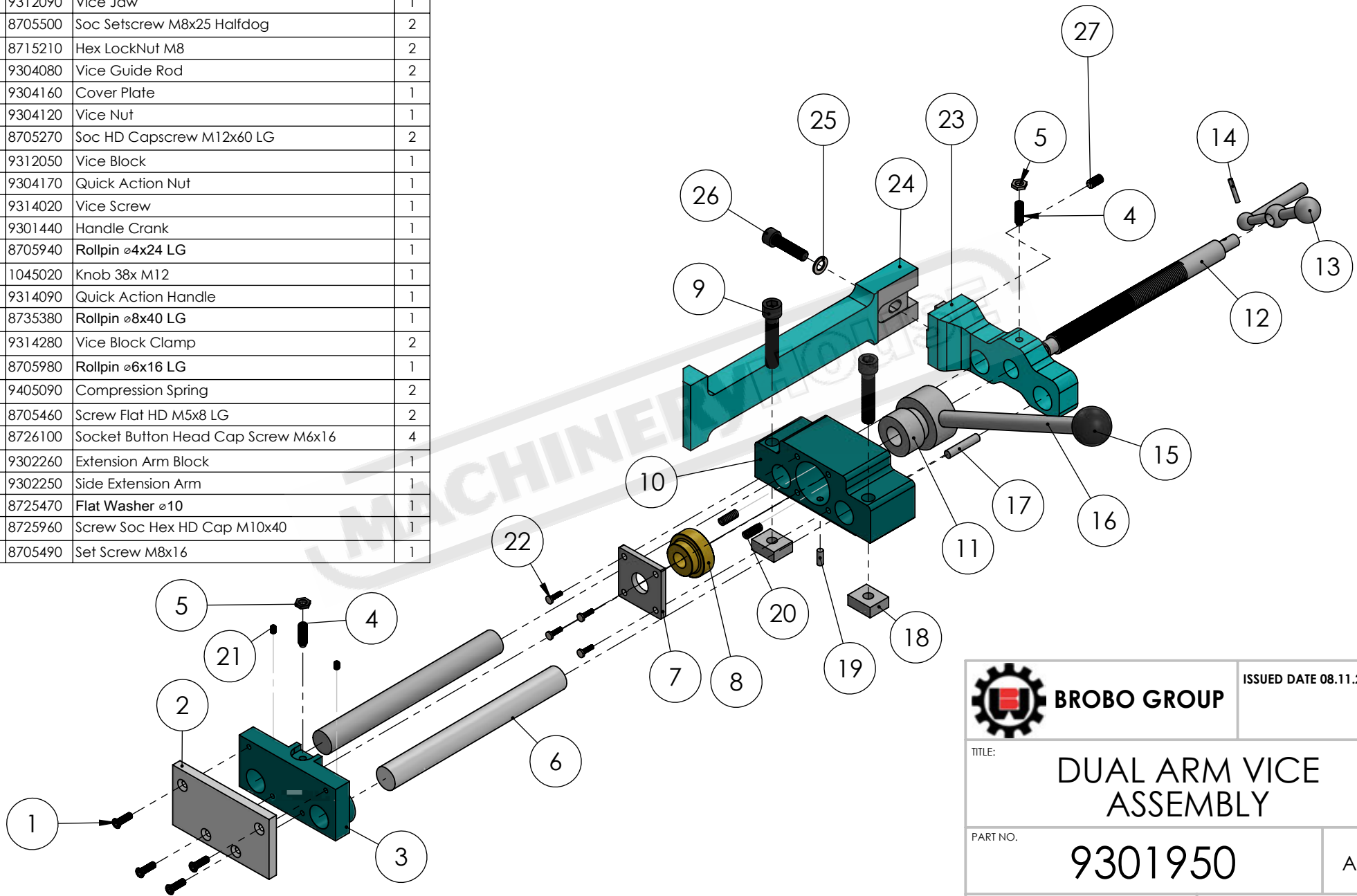
9311060


A4

SCALE:1:5

SHEET 1 OF 1

ITEM NO.	PART NO.	DESCRIPTION	QTY.
1	8705350	Flat Hex HD Cap M6x16	4
2	9314100	Jaw Pad (Front)	1
3	9312090	Vice Jaw	1
4	8705500	Soc Setscrew M8x25 Halfdog	2
5	8715210	Hex LockNut M8	2
6	9304080	Vice Guide Rod	2
7	9304160	Cover Plate	1
8	9304120	Vice Nut	1
9	8705270	Soc HD Capscrew M12x60 LG	2
10	9312050	Vice Block	1
11	9304170	Quick Action Nut	1
12	9314020	Vice Screw	1
13	9301440	Handle Crank	1
14	8705940	Rollpin \varnothing 4x24 LG	1
15	1045020	Knob 38x M12	1
16	9314090	Quick Action Handle	1
17	8735380	Rollpin \varnothing 8x40 LG	1
18	9314280	Vice Block Clamp	2
19	8705980	Rollpin \varnothing 6x16 LG	1
20	9405090	Compression Spring	2
21	8705460	Screw Flat HD M5x8 LG	2
22	8726100	Socket Button Head Cap Screw M6x16	4
23	9302260	Extension Arm Block	1
24	9302250	Side Extension Arm	1
25	8725470	Flat Washer \varnothing 10	1
26	8725960	Screw Soc Hex HD Cap M10x40	1
27	8705490	Set Screw M8x16	1



 BROBO GROUP	ISSUED DATE 08.11.2017	
	TITLE: <h2 style="text-align: center;">DUAL ARM VICE ASSEMBLY</h2>	
PART NO.	9301950	A4
SCALE:1:5		SHEET 1 OF 1

CHAPTER 5 - Adjustments for the Saw Unit

5.1. Changing the Blade

To replace a worn saw blade:



DANGER – ELECTROCUTION

Make certain that the power to the manual saw is turned off before proceeding with changing the saw blade.

- 1) Disengage the linkage arm that is between the guard linkage system and pivot block (at the pivot block by compressing the spring and moving the bolt through the slot).
- 2) Slide the saw guard up as far as possible (as if it was opening during a cutting cycle) to gain access to the spindle nose.
- 3) Loosen the spindle screws (LH thread), using the 14mm hexagonal wrench provided, and remove the counter plate. To loosen the spindle screw, insert the wrench (short end) into the socket head cap screw and firmly knock the wrench with the palm of your hands until the screw is loosened. If this method fails to free the screw, place a piece of timber under the blade of the machine, and loosen (or tighten) the screw while holding the saw head of the machine down (blade against the timber).
- 4) Remove the worn saw blade away from the spindle hub. Using a soft brush, clean the face of the spindle, counter plate and mounting faces of the blade of any dirt or swarf that was trapped by the previous cutting cycles.
- 5) Place the old saw blade into the new blade packaging and disposed of it safely. Carefully mount the new blade onto the spindle hub, ensuring that the blade is rotating into and towards the back fence, and replace the counter plate utilising the drive pins as guides as it passes through the pinholes on the blade.
- 6) Rotate blade back against the drive pins in a **counter-clockwise** and finger tighten the spindle screw.
- 7) Firmly retighten the spindle screws, ensuring that the saw blade spins uniformly and aligned parallel with the safety guard.
- 8) Lower the outer guards and make certain the pin of the linkage arm is re-engaged with the track on the inner guard and reconnect the guard linkage.
- 9) The new blade is ready for use. To check that the blade is performing correctly, carry out a sample cut on a piece of off-cut.
- 10) If optional devices are supplied, mount the stock support and rollers on either side of the clamping table. Normally stock should feed from **left to right**, but it can be feed from the **right to left**, if required.

5.2. Adjusting the Cutting Angle

The back jaw wear plates on the **Brobo Group S315/S350/S400 Series Metal Cutting Saw** are typically fitted in the following manner. For angular cutting, the wear plates should be repositioned to provide the maximum support on one side and clearance on the other (*Figure 11*).

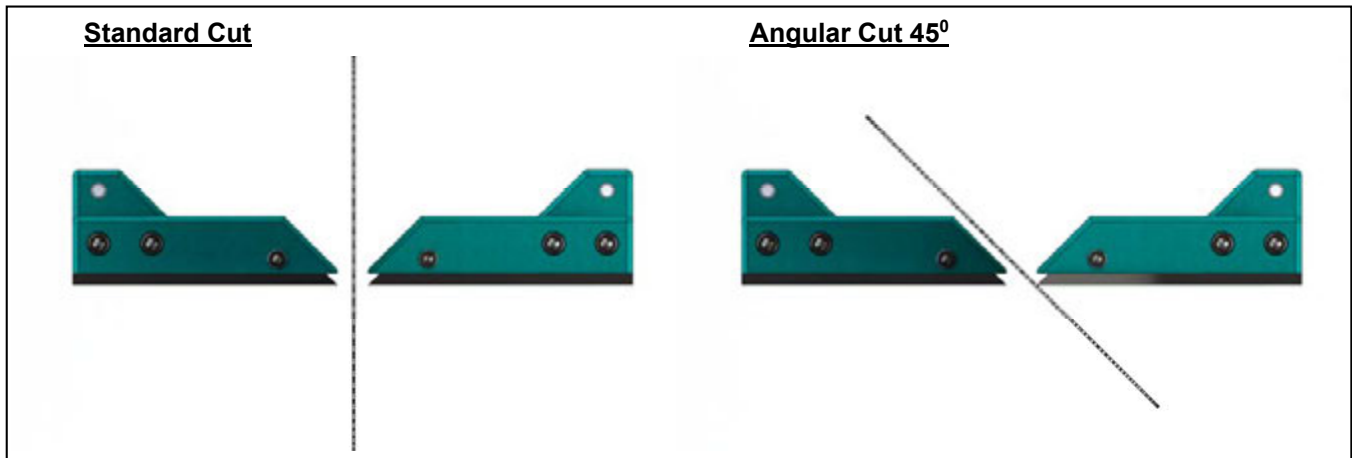


Figure 11. *Angular Cut Positions*

- i. To adjust the angle of the cutting surface, loosen the socket head screws shown in Figure 10, located on **the back jaw face that clamps the table**, using the hexagonal wrench provided.
- ii. Fine-tune the angle required. The shot-pins have positive locations at 90° and 45° right and left. Adjust the angle on the back fence to suit.
- iii. Re-tighten all the previously loosen socket head screws. The saw is now ready for use.

Cutting and Feeding Speeds

As previously highlights, the rate of feed largely affects the quality of the final cut. As such, the blade life is also dependent on the feed at which it is cutting the sample material - in particular, the type of material and also the cross sectional dimensions. Thus, to extend the life of the blade, maintain a firm and steady pressure whilst allowing the blade teeth to cut at an optimum rate. **Do not force the blade through the material!** This could cause numerous problems including breaking the blade teeth, jamming the blade with the cutting part or fracturing the blade spindle.

The cutting action also generates a large amount of heat within the cutting sample due to frictional contact. Should this heat affect the material you are cutting in any way, the heat should be dissipated using the coolant system.

5.3. Refilling the Lubricator

To refill the lubricator bowl, twist the bowl anti-clockwise and slide it down to detach it from the lubricator unit (There is no need to disconnect the air supply to the unit). The unit can now be refilled to the line positioned near the top of the bowl, which is approximately 10 millimetres from the top edge of the bowl. **Do not fill the bowl above this line**, as the lubricator unit will not function properly.

Replace the lubricator bowl in the reverse manner by sliding the bowl upwards, ensuring that the feed tube is located inside the bowl, and twist it clockwise to lock it into position.

5.4. Adjusting the Brobolube Unit

When assembled, the Brobolube unit is a precise instrument that supplies an accurate quantity of lubricant directly to the saw blade before it contacts the work piece. There are 2 control variables available for the operator:

Air Flow (Volume) Delivery

Regulated with the tap (needle valve), this can be adjusted from initial, completely closed to fully open states. It is highly recommended that the upper end of the flow range be utilised to allow an adequate airflow to deposit and evenly distributed the lubricant onto the blade, while maintaining a fine lubricant mix. If the needle valve is not open sufficiently, the air to lubricant ratio may vary, and may result in a substandard distribution of lubricant to reach the blade teeth.

Lubricator Flow Rate

This controls the fluid flow rate and is adjustable via the slotted needle valve situated on top of the lubricator. The consumption of Brobolube is factory set to **4 drops per minute**. This has been examined to produce a sufficient mix of air and lubricant, and it is recommended to use this initial setting. On this setting, approximately **55 cubic centimetres** (lubricator capacity) should last for **20 hours of continual cutting**. If for some reason the setting needs to be altered, the needle valve should be turned clockwise to reduce or anti-clockwise to increase the fluid flow respectively.

NOTE

- i. Although the lubricator is capable of delivering a much higher flow rate of lubricant, it is suggested that you do not increase the flow rate excessively because:
 - No significant increase in blade life or lubricating efficiency will be achieved (confirmed by test results).
 - Excessive application of Brobolube will only result in a waste of fluid.
 - Excessive application will produce swarf that will be wet (oily) and harder to clean up than dry swarf produced from the correct supply of Brobolube.
- ii. The amount of Lubricant (when set correctly) delivered by the lubricator is not easily visible by the naked eye. If in doubt that lubricant is being delivered, first check to see if lubricator itself is delivering droplets at its sight glass. If still unsure whether lubricant is being delivered, disconnect the supply tubing to the tap (needle valve) and hold the tube against some blotting paper for a few seconds while the lubricator is operating.

5.4.1. Lubricating Oil Precautions - Health Hazard Information

The Brobolube lubricating fluid has no known adverse health effects. "Brobolube" is non-toxic, odourless, non-flammable below approximately 350°C, and non-corrosive, although it may affect some types of rubber. There are no traces of sulphur, chlorine, phenol or nitrates found in Brobolube. When comes into contact with skin, the oil may be removed by wiping away the excess, then washing the contaminated area with detergent and water. If the oil is utilised at high temperatures, appropriate protective apparel should be worn as the oil could cause burns to skin or eyes. If splashed by hot oil, immediately run cold water over the burn area and apply first aid burn treatment.

If the Brobolube delivery line breaks or becomes disconnected during operation, ensure that the air supply to the system is disconnected before repairing the problem.

It is recommended that footwear with anti-slip soles be worn at all times. Any spills will result in potentially hazardous slippery surfaces and should be dealt with promptly to prevent physical injury resulting from falls. Do not use coarsely, combustible material like sawdust to soak up oil due to the potential risk of spontaneous combustion. Spilled oil should be transferred into non-porous containers of suitable strength. Any remaining oil should be cleaned up with sand or other non-combustible, absorbent material. Place the sand and oil mixture into containers and disposed of by an EPA approved landfill or alternatively, by a suitable non-polluting method.

In addition, rags soaked in oil should not be burned. Do not pour oil down the drain, which would ultimately contaminate the water supply and pollute the environment.

For firefighting purposes, either use CO₂, dry chemical or foam retardant to extinguish the flames.

MACHINERYHOUSE

CHAPTER 6 – Maintenance and Selection of Consumables

6.1. Role of the Operator

The person operating and maintaining the **Brobo Group S315/S350/S400 Series Metal Cutting Saw** must familiarise themselves with these instructions for their own safety and that of the others, in addition to safeguarding the production of the machine. Responsibility must be taken by the user on the general maintenance and up keeping of the unit as specified in this chapter, with particular emphasis on:

- Check to ensure that other operators of the machine always aware of and comply with the relevant safety instructions and standards as specified in *Chapter 2 - Safety and Accident Prevention*. Therefore, check that the safety devices are operational and work perfectly and that personal safety requirements are complied with.
- Ensure that the working cycle is efficient and guarantees maximum productivity, inspect the:
 - Functions of the main components of the machine
 - Sharpness of the blade and coolant flow
 - Correct working parameters for the type of material being cut
- Verify that the quality of the cut meets the requirements and that the final product is free from any machining defects.

6.2. Maintenance Requirements

- All maintenance must be carried out with the power switched off and the machine in emergency stop condition.
- To guarantee for optimum operation, all spare parts must be **Brobo Group** originals.
- On completion of maintenance works, ensure that the replaced parts or any tools used have been removed from the machines before starting it up.
- Any behaviour not in accordance with the instructions for using the machine specified in this manual may create hazards and/or safety risks for the operator.
- Therefore, read and follow all the instructions for use and maintenance of the machine and those on the product itself.

6.3. General Maintenance of Functioning Components

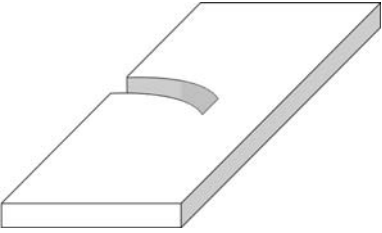

The general maintenance operations that should be carried out regularly are as follows:

- 1) Keep the vice clamps, overall machine and path of the cutting blade free of any offcuts, accumulated swarf and coolant using compressed air or preferably thread-free cloth.
- 2) Observe the oil level on the gearbox. The first oil change should be performed after the initial **60 hours of operation** and **500 hours of operation** thereafter. Use extreme pressure industrial gear oil - ISO VG 220 viscosity, conforming to AGMA 5EP, US Steel 224 or API GL-2 specifications to which 3% colloidal molybdenum disulphide has been added. Refilling point is situated in the handle bar mounting threaded hole. The required quantity to refill is approximately 800 ml for the S315/S350/400 gearboxes. Gearbox oil is available from **BROBO GROUP** Pty. Ltd. in 2 Litre packs (Part No. **9501090**).

- 3) Change coolant as required, or whenever the coolant starts to get dirty or emits a stale odour. The coolant compensation tank should be checked regularly. Coolant level would expect to naturally decrease over time due to natural evaporation. Use premium quality coolants such as CoolTech 500 or SlideTech 68. Coolant is available from **BROBO GROUP** Pty. Ltd. in 2 litre & 20 litre packs (Part No. **9301570** & **9501080**): Concentrate, Ratio 1:20
- 4) Lubricate the saw head pivot shaft and rotary table regularly (after every 40 hours of operation, or weekly) with an NLGI 2 extreme pressure grease, Shell Alvania No.1 grease or equivalent.
- 5) Clean the vice and lubricate any moving joints or sliding surfaces with good quality oil.
- 6) Clean the machine regularly and keep any unpainted surfaces lightly oiled to protect from rust and corrosion.
- 7) The air supply for the pneumatic air vices should be checked regularly such that it is free of any condensed water molecules and the filter should be drained frequently.
- 8) Ensure that the machine performs cuts perpendicular to the work surface.
If not, contact **Robo Group** engineering department.
- 9) Test that the blade is at right angles to the workpiece back fence.
If not, contact **Robo Group** engineering department.
- 10) Check that the 0° notch on the fixed worktable is aligned with the gradation on the turntable. If not, adjust as described in Section 5.2.
- 11) Examined that the precision of the 15°, 30°, 45° left and right stops are correct and accurate. If they are not adjusted properly, proceed as described in Section 5.2.
- 12) Regularly empty out the swarf catcher, resting directly above the compensation tank, of any offcuts and swarf that has collected during the numerous cutting cycles.

CHAPTER 7 - Troubleshoot

7.1. Troubleshooting For Blade and Cutting Problems

<u>PROBLEM IDENTIFIED</u>	<u>DIAGNOSIS</u>	<u>SOLUTIONS</u>
<p>Cuts produced are not at 90° and/or are not perpendicular</p> 	Head speed too low or too high	Reduce or increase head speed respectively.
	Blade with worn teeth	Replace with new blade, with reference to <i>Section 5.1 Changing the Blade</i> .
	Angularity of blade to workpiece back fence and vice clamps	Adjust the position of the blade so that it is at right angles to the workpiece back fence using the 0° notch as reference; set the stops at 45° left and right using the method described in <i>Section 5.2 Adjusting the Cutting Angle</i> .
	Blade not perpendicular to work surface	Adjust the blade using the appropriate screws such that it is perpendicular to the work surface.
<p>Frequent and/or excessive teeth breaking</p> 	Broken teeth	Check the hardness of the material being cut corresponds within the capabilities of the blade.
	Incorrect lubricant/coolant fluid	Check the water and oil mixture; check that the holes and/or hose are not blocked; direct the nozzles correctly; check that the lubricant/coolant fluid conforms to those specified in <i>Section 6.3 General Maintenance of Function Components</i> .
	Material too hard	Check the cutting speed, feed speed, blade type and parameters are correct for the particular application.
	Blade not worn in correctly	With a new blade, it is necessary to start cutting at <i>half feeding speed</i> . After a normalising period (cutting surface about 300cm ² for hard materials and 1000cm ² for softer materials), both cutting and feed speeds can be brought up to normal values.

Blade with incorrect and/or excessive fine tooth pitch
 As excessive pressure is exerted of the incorrect teeth profile, replace the blade with correct tooth pitch dimensions and profile.

Workpiece not clamped firmly in place
 Any movement of the workpiece during the cutting process can cause broken teeth; check the vice clamps, clamping jaws and clamping pressure is satisfactory.

Excessive vibrations
 Specimen vibrates in the vice; check that the vice clamps are position correctly and the clamping pressure are adequate.

Rapid teeth wear



Head speed too slow or too high
 The blade/slide runs over the material without cutting it; increase or decrease head speed respectively.

Reduce cutting pressure

Cutting pressure to high
 Check the coolant level and clean piping and nozzles

Insufficient coolant
 Non-homogenous material being cut
 The material present may not be homogenous either on the surface, such as oxides or sand present, or in sections, such as under-cooled inclusions. The variances in grain development cause the premature wearing of teeth and consequently, break as the result. Homogenise or clean these materials.

Broken blade



Head speed to high
 Always check the position of the blade before starting a initiating a new cut or job

Teeth in contact with material before commencing the cut
 Check the coolant level and clean piping and nozzles

Insufficient coolant
 Excessive vibrations
 Specimen vibrates in the vice; check that the vice clamps are position correctly and the clamping pressures are adequate

7.2. General Troubleshooting

Below lists of some of the most commonly identified problems associated with the **BW S315/S350/S400 Series Metal Cutting Saw** and the recommended troubleshooting procedures to undertake to rectify the situations. If the solutions provided do not resolve the problem, or the problem identified differs from those listed, **immediately** contact **Brobo Group** engineering department.

<u>PROBLEM IDENTIFIED</u>	<u>DIAGNOSIS</u>	<u>SOLUTIONS</u>
<i>Spindle motor will not rotate</i>	Electrical power supply not connected	Ensure that the main power cable is plugged in and switched on. Check the phases, cables, plugs and sockets for loose connection. Also check that the motor connections are in place.
	Loose contactors	Verify that the contactors are not loose. If contacts are short-circuited, contact Brobo Group engineering department immediately
	Motor burnt out	Check that it has not burnt out, that it turns freely and there is no moisture in the main electrical unit. The winding can be rewound or replaced
	Blown fuses	Examine that the fuses are intact and fitted correctly, otherwise replace or tighten the fuse holders
<i>Machine open slowly or not at all</i>	Hydraulic oil level and pressure system	Check for any leaks present within the catchment unit. Top up the with coolant as recommended in <i>Section 6.3 General Maintenance of Functioning Components</i>
<i>Coolant system not operational</i>	Blocked coolant tubing	Check that it is not kinked, severed or blocked. Flush out any blockages



BROBO GROUP®

A.C.N. 098 264 316
A.B.N. 42 098 264 316

BROBO GROUP (AUST) PTY. LTD.

8 Fowler Rd, Dandenong, 3175
PO BOX 4274 Dandenong Sth, 3164
Victoria, AUSTRALIA.
Tel: 61 3 9792 9944
Fax: 61 3 9791 9955

Email: info@brobo.com.au
Website: www.brobo.com.au



APPENDIX - RISK/HAZARD ASSESSMENT

Hazard Type	Hazard Identification	Hazard Assessment	Hazard Management Strategies (Recommended for the Purchasing / Buyer / User)
Mechanical	Cutting/Severing	Low/Med	<ul style="list-style-type: none"> Keep machine correctly guarded and operational at all times. Keep hands clear of rotating blade when cutting.
	Entanglement	Low	<ul style="list-style-type: none"> Do not wear loose jewellery, clothing or items that might get caught in the saw. Always keep the work area free of unnecessary objects or tools.
	Puncturing	Low	<ul style="list-style-type: none"> Wear protective gloves when handling and /or changing the blades. Power source is to be isolated prior to opening electrical enclosures.
Electrical	Electrocution	Low	<ul style="list-style-type: none"> Remove the power supply when any maintenance and/or repairs are to be undertaken. Power source is to be isolated prior to opening electrical enclosures.
Thermal	Burn	Low	<ul style="list-style-type: none"> Under normal working conditions the gearbox can become hot thus, do not touch. Be careful when handling workpiece after cutting, as it might be very hot.
Noise	-	Low	<ul style="list-style-type: none"> Under no load testing, the noise level measured is below 85 dB (A). If the noise level becomes too high during a cutting cycle, stop the process and inspect for problem, if any are present.
Substance	-	Low	<ul style="list-style-type: none"> Care must be taken as some coolants may be harmful or cause allergic reactions. Please read the labels carefully. Keep the work area clean and regularly remove excess coolant, oils and other impurities.
Hazardous Events	Unexpected Start Up	Low	<ul style="list-style-type: none"> During a power failure, turn the machine off. If problem persists, please contact Brobo Group engineering department.
	Failure of Control System	Low	<ul style="list-style-type: none"> If the ON/OFF switch fails, isolate the machine at the power source. Ensure that no fuses are blown and that all electrical circuitry are operating within normal parameters.
Additional Hazards	Operator Error	Low	<ul style="list-style-type: none"> Ensure blades, clamps and materials are correctly secured.
	Impact	Low	<ul style="list-style-type: none"> Wear safety glasses at all times during cutting cycle.

MACHINE TYPE: _____

SERIAL NO.: _____

RECEIVING COMPANY: _____ (SAFETY OFFICER)



APRIL 2009

CONTENTS

HAZARD.....	41
RISK	32
RISK CATEGORY MATRICES	33
RISK CATEGORY MATRICES (CONTINUED).....	34
RISK SCORE CALCULATIONS.....	35
CONTROL RECOMMENDATIONS	36
CONTROL STANDARD.....	36
RE-SCORE	36
TERMS OF REFERENCE	36
FOLLOW UP.....	36
HAZARD, RISK, CONTROL REPORT	37

DISCLAIMER

JEREMY TROTMAN AND ASSOCIATES (JTA) HAVE PREPARED THIS REPORT EXCLUSIVELY FOR THE USE OF THE NAMED CLIENT. JTA BELIEVE THAT THE INFORMATION IN THIS REPORT IS CORRECT, AND THAT ANY OPINIONS, CONCLUSIONS OR RECOMMENDATIONS ARE REASONABLY HELD OR MADE AT THE TIME OF WRITING. HOWEVER, JTA DO NOT WARRANT THEIR ACCURACY, AND DISCLAIM ALL RESPONSIBILITY FOR ANY LOSS OR DAMAGE WHICH MAY BE SUFFERED BY ANY PERSON, DIRECTLY OR INDIRECTLY FROM THE USE OF THIS REPORT.

Jeremy Trotman + Assoc P/L
 PO Box 246, Brighton Victoria 3186
 Telephone (03) 9591 0733
 Fax (03) 9591 0776
 Email info@jta.net.au Web
www.jta.net.au
 ABN 78 007 071 383

+ Procedures Development	+ Noise	+ On-site Audiometric Testing
+ Policy Manuals	+ Confined Spaces	+ Legionella/Cooling Tower Risk Assessments
+ Legal Compliance Audits	+ Management Systems	+ Asbestos Audits/Project Management
+ Risk Assessments	+ Audits	
+ Plant Safety	+ Hazardous Substances	
+ Manual Handling	+ Training	
+ Ergonomics	+ Indoor Air Quality	

Brobo Pty. Ltd. Dandenong South
 Plant Risk Assessment Report

SCOPE

A risk assessment program of plant items was commenced on behalf of Brobo Pty. Ltd. Dandenong South during March 2009. The assessment was commissioned by Mr David Golic. Plant items assessed were located within the manufacturing facility located at 66-68 Williams Rd. Plant assets inspected were as per the Operating Manual for the OHS Series S315, 350, 400 S SCV Metal Cutting Saws, Sn's. C29680~.

As far as practicable, risks have been assessed against relevant Australian Standards, the Code of Practice for Plant No. 19, 1 July 1995. The Risk Assessments are completed under the "Generic" classification as defined by the Code.

METHOD

Hazard

Parts, accessories, components or other items together with the likely use, materials used as part of the process, cleaning procedures and maintenance procedures are some of the items given due consideration as to the likelihood of presenting Health and Safety risks to personnel . These items identified as hazards are described under the heading of "Hazard". *The Hazard listed in column 1 of the Risk Assessment.*

RISK

The level of the Risk associated with each Hazard is based on AS 4360 Risk Management, consistent with Worksafe Victoria guidelines.

The qualitative measures are:

6	Catastrophic (multiple deaths, loss over \$1,000,000)
5	Disaster (single death, loss to \$1,000,000)
4	Very serious (Permanent disability, loss to \$1,000,000)
3	Serious (extensive medical treatment required, lost time >7 days, loss to \$500,000)
2	Substantial (medical treatment, lost time <7 days
1	Minor (first aid treatment, lost time < 1 day)

Brobo Pty. Ltd. Dandenong South
Plant Risk Assessment Report

RISK CATEGORY MATRICES

		Exposure					
		1 Very Rare	2 Rare	3 Infrequent	4 Occasional	5 Frequent	6 Continuous
Consequence: Catastrophic 6							
Probability	6 Almost Certain	V	V	V	V	V	V
	5 Quite possible	H	V	V	V	V	V
	4 Unusual but possible	S	H	V	V	V	V
	3 Remotely Possible	M	S	H	H	V	V
	2 Conceivable	L	M	S	S	H	V
	1 Practically Impossible	L	L	L	L	M	S

		Exposure					
		1 Very Rare	2 Rare	3 Infrequent	4 Occasional	5 Frequent	6 Continuous
Consequence: Disaster 5							
Probability	6 Almost Certain	H	V	V	V	V	V
	5 Quite possible	S	H	V	V	V	V
	4 Unusual but possible	M	S	H	V	V	V
	3 Remotely Possible	L	M	S	S	H	V
	2 Conceivable	L	L	M	M	S	H
	1 Practically Impossible	L	L	L	L	L	M

		Exposure					
		1 Very Rare	2 Rare	3 Infrequent	4 Occasional	5 Frequent	6 Continuous
Consequence: Very Serious 4							
Probability	6 Almost Certain	S	H	V	V	V	V
	5 Quite possible	M	S	H	V	V	V
	4 Unusual but possible	L	M	S	H	V	V
	3 Remotely Possible	L	L	M	M	S	H
	2 Conceivable	L	L	L	L	M	S
	1 Practically Impossible	L	L	L	L	L	L

Brobo Pty. Ltd. Dandenong South
Plant Risk Assessment Report

RISK CATEGORY MATRICES (CONTINUED)

Consequence: Serious 3		Exposure					
		1 Very Rare	2 Rare	3 Infrequent	4 Occasional	5 Frequent	6 Continuous
Probability	6 Almost Certain	M	S	H	V	V	V
	5 Quite possible	M	M	S	H	V	V
	4 Unusual but possible	L	M	M	S	H	V
	3 Remotely Possible	L	L	L	M	M	S
	2 Conceivable	L	L	L	L	M	M
	1 Practically Impossible	L	L	L	L	L	L

Consequence: Substantial 2		Exposure					
		1 Very Rare	2 Rare	3 Infrequent	4 Occasional	5 Frequent	6 Continuous
Probability	6 Almost Certain	L	M	S	H	V	V
	5 Quite possible	L	L	M	S	H	H
	4 Unusual but possible	L	L	L	M	M	S
	3 Remotely Possible	L	L	L	L	L	M
	2 Conceivable	L	L	L	L	L	L
	1 Practically Impossible	L	L	L	L	L	L

Consequence: Minor 1		Exposure					
		1 Very Rare	2 Rare	3 Infrequent	4 Occasional	5 Frequent	6 Continuous
Probability	6 Almost Certain	L	L	L	L	M	S
	5 Quite possible	L	L	L	L	L	M
	4 Unusual but possible	L	L	L	L	L	L
	3 Remotely Possible	L	L	L	L	L	L
	2 Conceivable	L	L	L	L	L	L
	1 Practically Impossible	L	L	L	L	L	L

Brobo Pty. Ltd. Dandenong South
Plant Risk Assessment Report

In some instances consideration is given to the possibility that, due to circumstances, there is a possibility that a “minor” incident, due to complications may escalate into a “serious” or even “disasterous” injury.

The Risk level score calculation is shown included in column 3 of the Risk Assessment.

RISK SCORE CALCULATIONS

The risk score is a factored in the following order:

Consequence (1 to 6) 1 being lowest consequence	Probability (1 to 6) 1 being lowest probability	Exposure (1 to 6) 1 being lowest exposure
--	--	--

Below is an example of the method used to calculate the risk scores with the aid of the Matrices.

Sample: Risk Assessment table excerpt.

Hazard	Risk	Score	Control Recommendation	Action Taken Yes / No	Re-Score
Rotating blade in reach of operator at normal work station of shift.	Severing injury risks RISK SCORE: 6:5:4	V			

<ul style="list-style-type: none"> • Consequence <li style="padding-left: 20px;">Very Serious <li style="padding-left: 20px;">4 • (Permanent disability, loss to \$1,000,000) 	<ul style="list-style-type: none"> • Probability <li style="padding-left: 20px;">Quite Possible <li style="padding-left: 20px;">5 <li style="padding-left: 20px;">Quite possible 	<ul style="list-style-type: none"> • Exposure <li style="padding-left: 20px;">Frequent <li style="padding-left: 20px;">5 <li style="padding-left: 20px;">Frequent 	<ul style="list-style-type: none"> • Code <li style="padding-left: 20px;">V
--	--	---	---

The risk score calculation shall be indicated as follows 4:5:5= V

Code	Risk Level	Suggested action
V	Very High	Immediate cessation of work, isolation of area and corrective action required
H	High	Immediate corrective action required
S	Substantial	Should receive attention within specified time
M	Moderate	Should be dealt with within specified time but not an emergency
L	Low	Risk is acceptable

Brobo Pty. Ltd. Dandenong South
Plant Risk Assessment Report

CONTROL RECOMMENDATIONS

The Plant auditors pool from their experience in the particular field to offer the most practical cost effective and readily available Risk controls available to be introduced for each item.

CONTROL STANDARD

Controls are recommended based on minimum standards established in Regulations, Codes and Australian Standards where applicable.

RE-SCORE

The Re-Score column provides an indication of the anticipated extent of the proposed Risk management. This figure is only indicative and can only be ascertained once the actual control is introduced and evaluated and reviewed by a subsequent Risk Assessment.

TERMS OF REFERENCE

The Risk Assessment shall be conducted by a competent assessor; the assessor shall take into account :

- **The actual use of the plant**
- **Constructive comments and input from operators**
- **Appointed employee OHS representative group**
- **State of Knowledge of the type of Plant**
- **Applicable Australian Standards.**

FOLLOW UP

This report has been prepared in an easy to use format. The "Action Taken" column should be completed as each item is addressed. The person responsible should initial the "Ref" column.

All risk controls introduced as a result of this report need to be reviewed for quality and performance depending upon the severity of the risk control. A review schedule must be introduced that will enable management and the responsible people to evaluate the performance and the quality of the controls. They also need to be able to determine if any further risks have been created as a result of the introduced control.

HAZARD, RISK, CONTROL REPORT

Make: Brobo Cold Cut Saw Model: S /SCV 315A/D, 350/D, 400/B

MANUFACTURERS' SERIAL NO GROUP C29680~

HAZARD	RISK	SCORE	CONTROL	ACTION TAKEN Y/N	RE-SCORE
415/240 Volt Main power supply.	Inability to isolate power supply during cleaning or maintenance, injury risk, electric shock, electrocution risk to operator or repair personnel. Failure of circuit protection to activate in the event of metallic frames becoming live. RISK SCORE: 5:4:4	V	Introduce "Plug lockout calliper system" to isolation and "lockout" / "tagout" procedure to site maintenance procedures. Attach site maintenance procedures to site safety induction policy & induction for maintenance personnel. Include item to "Test & Tag" AS / NZS 3760 periodic test register. Carry out insulation leakage tests to all hazardous voltage, mains power electric components and associated metal work. Check earth continuity / resistance to all metal frames and attachments. Provide or repair earth points as necessary in accordance with AS 3000 & AS/NZ 3760		5:2:3=M
415/240 volt power supply.	Electric shocks, burns, electrocution risks. RISK SCORE: 6:5:4	V	Fit "DANGEROUS VOLTAGE," and or ISO international symbol signs to all access covers over dangerous voltage areas of unit. Adequate warning of dangerous voltages within must be provided at all areas.		6:1:2=L
Standby operation of saw.	Accidental operation of saw during servicing, setup or adjustment. Severing, cutting, electrical shock injury risks. RISK SCORE: 4:3:4	M	Fit "STAND BY" warning indicator circuit and tell tale lamp to saw in proximity to "ON / OFF" switch.		4:3:2=L
Plant maintenance.	Unauthorized and untrained personnel carrying out plant maintenance, personnel injuries. Risk Score: 5:4:4	V	Introduce "No unauthorized personnel to carry out maintenance to plant" policy to site induction training.		5:2:2=L

Brobo Pty. Ltd. Dandenong South
Plant Risk Assessment Report

HAZARD	RISK	SCORE	CONTROL	ACTION TAKEN Y / IN	RE- SCORE
Emergency stop system.	In ability of operator to shut down plant in the event of an emergency. Non compliance with Plant regulations and AS 4024. Striking, crushing injury risks. Electric shock risks, electrocutions risks. RISK SCORE: 5:4:4	V	Fit red coloured lock down type mushroom head emergency stop button with identification and operating instruction signs, "PUSH TO STOP" located in the immediate proximity to normal operator work stations. (Operator must be able to activate emergency stop from all control stations and normal work positions. Emergency stop equipment circuitry must be "fail safe" & comply with AS 1543, AS 4024 & AS 3000. The wiring of the emergency stop system must comply with AS 4024.1 Section 6.3.7.1 Alternatively fit foot operated / kick type emergency stop system, and fit identification and function sign.		5:1:3=L
Operation controls.	Accidental operation, incorrect use of plant. Non compliance with Plant regulations and Australian Standards. RISK SCORE: 4:5:5	V	Fit identification, function operating and direction signs to all controls, including function and direction indication ie. "ON / OFF", "SLOW / FAST" in accordance with R 306.1 of the Plant regulations. Signs must be permanent and indelible in accordance with AS 1319.		4:1:2=L
Unauthorised use of plant.	Cutting injuries, eye injuries, severing risks. RISK SCORE: 4:3:4	M	Fit "ONLY TRAINED EMPLOYEES TO OPERATE THIS ITEM OF PLANT AT ANY TIME" place sign in visible location.		4:3:2=L
Flying chip particles and machine debris.	Eye injuries, eye damage. RISK SCORE: 5:5:3	V	Fit eye protection sign to plant unit base frame in location visible to control station, alternatively include. Mandatory eye protection P.P.E requirements to site induction with appropriate signs at entry points to machine shop. Signage must be in accordance with AS 1319 sign No. 421 with supplementary text indicating type of eye protection, ie. Face shield or goggles.		5:1:3=L
Operating noise levels.	Hearing loss due to noise exposure. RISK SCORE: 4:5:5	V	Fit "HEARING PROTECTION MUST BE WORN" sign in proximity to plant. Fit sign in accordance with AS 1319, sign No 425.		4:2:3=L

Brobo Pty. Ltd. Dandenong South
Plant Risk Assessment Report

HAZARD	RISK	SCORE	CONTROL	ACTION TAKEN Y / IN	RE- SCORE
Cleaning.	Crushing, striking injuries to operators, maintenance and cleaning personnel. RISK SCORE: 6:3:5	V	Fit "DANGER HIGH VOLTAGES, QUALIFIED SERVICE PERSONNEL ONLY, SWITCH OFF AND ISOLATE PLANT AT ALL TIMES PRIOR TO CARRYING OUT ADJUSTMENTS OR CLEANING", signs in proximity to controls		6:2:3=S
Airborne contaminants, dust.	Ingress of hazardous materials into lungs, respiratory illness, lung disease. RISK SCORE: 5:3:5	V	Fit "Respirator must be worn", P.P.E. signs in accordance with AS 1319 sign number 423.		5:2:2=L
Safety systems.	Severing, crushing injury risks. RISK SCORE: 5:3:5	H	Create plant log book for each item of plant. Introduce periodic safety inspection system of all electrical, mechanical safety systems, including main power isolator, limit switches, guards, wiring and emergency stop buttons. Record all results in plant log book on a scheduled interval.		5:2:3=M
Hazardous voltage supply cables, lines and equipment.	Opening of incorrect circuits during maintenance, incorrect maintenance, non compliance with industry standards. And building code. Maintenance personnel, operator injury risks. Striking, injuries, eye injuries, burns injuries, electric shock injuries, electrocution injuries. RISK SCORE: 5:5:3	V	Fit identification signs to all hazardous voltage circuits. Fit ISO type colour coded identification and flow direction signs to service lines and pipes in accordance with AS 1345. (All building and plant service lines, plumbing and cabling must be clearly identifiable.)		5:1:3=L
Work piece material.	Material rolling over during cutting, operator injuries, hand injuries, cutting blade breakage. RISK SCORE: 2:4:5	M	Fit "SECURELY CLAMP ALL MATERIAL PRIOR TO CUTTING", sign in proximity to machine.		2:4:3=L
Main saw blade.	Hand injury risks, entanglement, crushing severing risk. RISK SCORE: 3:3:4	M	Fit swing type automatic retract & return safety guard to AS 4024 to saw blade, to prevent finger access to blade when not engaged in cutting of material (saw blade must be completely guarded when in standby, existing guard does not adequately prevent access to saw blade while in standby position).		3:2:4=L

Brobo Pty. Ltd. Dandenong South
Plant Risk Assessment Report

HAZARD	RISK	SCORE	CONTROL	ACTION TAKEN Y / / N	RE- SCORE
Replacement of saw blade.	Hand injury risks, entanglement, crushing severing risk. RISK SCORE: 3:3:4	M	Carry out "Job Safety Audit" on procedure, write "Safe Work Procedure" accordingly, display S.W.P. in proximity to machine.		3:2:4=L
Work piece loading and unloading to saw bench.	Manual handling injury risk. Hand injury risks, muscle strains, back injury risks, crushing injury risks. RISK SCORE: 3:4:5	H	Carry out "Job Safety Audit" on procedure to suit handling of materials onto machine, write "Safe Work Procedure" accordingly, display S.W.P. in proximity to machine. Introduce "no lift policy" to safety induction training.		3:4:5=M
Cutting coolant.	Poisoning, injury risk, RISK SCORE: 3:2:4	L	Fit safety instruction signs in accordance with cutting lubricant manufacturers' M.S.D.S.. Display M.S.D.S for all chemicals on display board.		3:1:4= L
Stability of Saw pedestal / Stand.	Collapse of pedestal/stand during use. Operator injuries, plant damage. RISK SCORE: 4:4:4	H	Securely fasten base of pedestal to floor with dyna-bolts or similar / Fit on suitable pedestal.		

MACHINERY

phone : 03 96460460

fax : 07 31124182

email : info@avgoservices.com

web : www.avgoservices.com

P.O. Box 5089 Garden City 3207 Victoria 3207



Certificate of AS 4024 & AS 3000 compliance

This is to certify

That an AS 4360 Risk Assessment has been completed on the

Brobo S315 A/D, S/SCV 350 D, S/SCV 400/B OHS Series Metal Saws Serial No's. *C29680 ~ (*Subject to limitations)

Risk Control recommendations have been implemented accordingly.

*The Plant system satisfies necessary requirements of the
Occupational Health and Safety Act 2004*



BROBO GROUP®
A LIFETIME OF RELIABILITY

Signed

A handwritten signature in black ink, appearing to read "Theo Avgoulis".

Theo Avgoulis
Plant Inspector (ASIA)

Dated: 01 May 2009

*Certification is applicable only to current product specifications.

**BROBO GROUP®**A.C.N. 098 264 316
A.B.N. 42 098 264 316**BROBO WALDOWN (AUST) PTY. LTD.**8 Fowler Road, Dandenong Vic 3175
PO BOX 4274 Dandenong Sth, 3164
Victoria, AUSTRALIA.
Tel: 61 3 9794 8751
Fax: 61 3 9794 8792Email: info@brobo.com.au
Website: www.brobo.com.au

WORKPLACE HEALTH & SAFETY POLICY

SAFETY COMPLIANCE DESIGN EVOLUTION

Brobo Group (Brobo Waldown) has been a leading manufacturer of quality industrial products since 1947.

Our products have been synonymous with the Australian workplace since the beginning.

As Health & Safety standards have improved Nationally, Brobo Group has adopted OH&S design disciplines to drive ongoing development of its products in line with the highest workplace safety standards.

Brobo Group is committed to design and manufacture equipment of the highest quality standard for Australian & International workplaces.

“We are committed to providing Australian workplaces with the safest and most durable high quality tools.”

David Golic

Dated this 24th day of May 2017

Director
Brobo Group